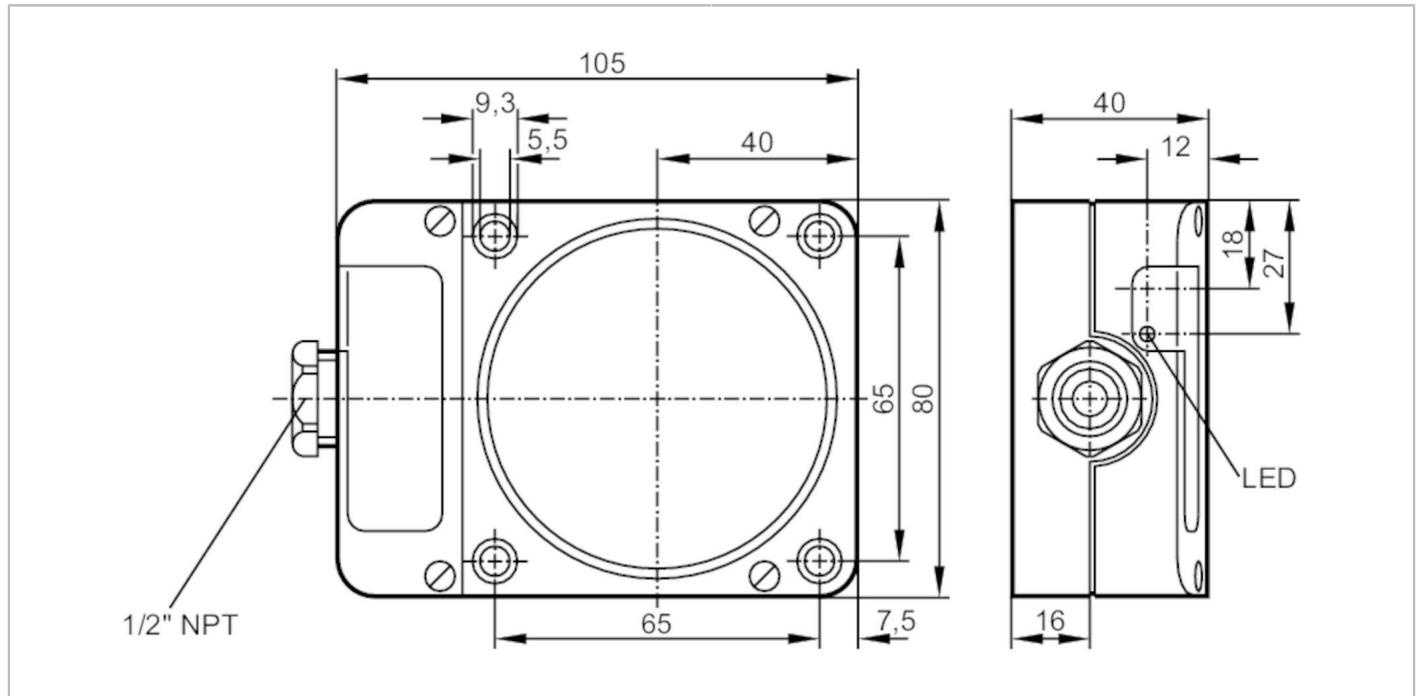


ID8509



Inductive sensor

IDE3060-FPKG/POTENT SEALED @60



Product characteristics		
Electrical design		PNP
Output function		normally open / closed; (selectable)
Sensing range	[mm]	60
Housing		rectangular
Dimensions	[mm]	105 x 80 x 40
Electrical data		
Operating voltage	[V]	10...36 DC
Current consumption	[mA]	15; (24 V)
Protection class		II
Reverse polarity protection		yes
Outputs		
Electrical design		PNP
Output function		normally open / closed; (selectable)
Max. voltage drop switching output DC	[V]	2.5
Permanent current rating of switching output DC	[mA]	250
Switching frequency DC	[Hz]	100
Short-circuit protection		yes
Type of short-circuit protection		yes (non-latching)
Overload protection		yes
Monitoring range		
Sensing range	[mm]	60
Real sensing range Sr	[mm]	60 ± 10 %
Operating distance	[mm]	0...48.6

ID8509



Inductive sensor

IDE3060-FPKG/POTENT SEALED @60

Accuracy / deviations		
Correction factor	steel: 1 / stainless steel: 0.7 / brass: 0.4 / aluminum: 0.3 / copper: 0.2	
Hysteresis [% of Sr]	1...15	
Switch-point drift [% of Sr]	-10...10	
Operating conditions		
Ambient temperature [°C]	-25...80	
Protection	IP 65	
Tests / approvals		
EMC	EN 61000-4-2 ESD	- CD / 8 kV AD
	EN 61000-4-3 HF radiated	10 V/m
	EN 61000-4-4 Burst	2 kV
	EN 61000-4-5 Surge	0,5 kV line to line, Ri: 2 Ohm
	EN 61000-4-6 HF conducted	10 V
	EN 55011	class B
Mechanical data		
Weight [g]	435.448	
Housing	rectangular	
Mounting	non-flush mountable	
Dimensions [mm]	105 x 80 x 40	
Material	PPE	
Displays / operating elements		
Display	Switching status	1 x LED, yellow
Accessories		
Items supplied	screwdriver: 1	
Remarks		
Pack quantity	1 pcs.	
Electrical connection		
terminals: ...2.5 mm ² ; Cable sheath: Ø 7...13 mm		
Connection		

