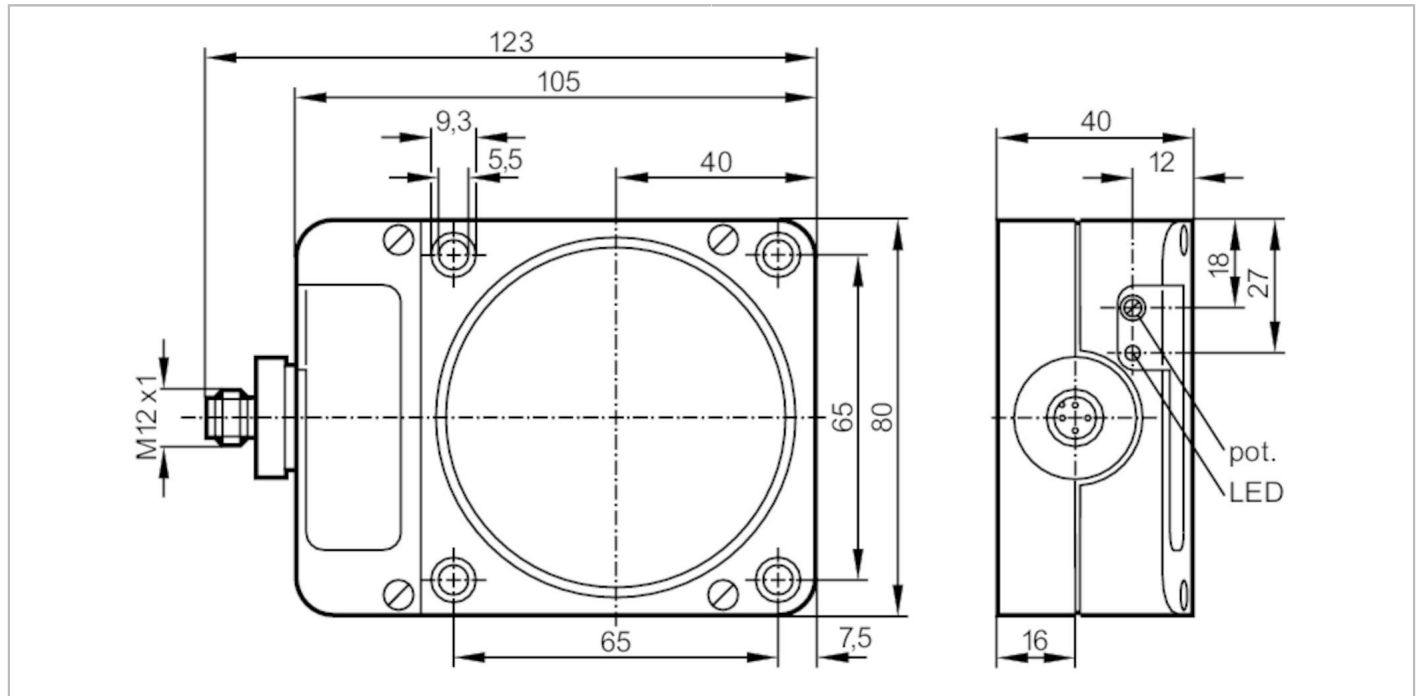


ID8504



Inductive sensor

IDE3060-FNKG/US100DNS



Product characteristics		
Electrical design		NPN
Output function		normally open
Sensing range	[mm]	60
Housing		rectangular
Dimensions	[mm]	105 x 80 x 40
Electrical data		
Operating voltage	[V]	10...36 DC
Current consumption	[mA]	15; (24 V)
Protection class		II
Reverse polarity protection		yes
Outputs		
Electrical design		NPN
Output function		normally open
Max. voltage drop switching output DC	[V]	2.5
Permanent current rating of switching output DC	[mA]	250
Switching frequency DC	[Hz]	4
Short-circuit protection		yes
Type of short-circuit protection		yes (non-latching)
Overload protection		yes
Monitoring range		
Sensing range	[mm]	60
Sensing range adjustable		yes
Factory setting sensing range	[mm]	60

ID8504



Inductive sensor

IDE3060-FNKG/US100DNS

Real sensing range Sr	[mm]	60 ± 10 %
Operating distance	[mm]	0...48.6

Accuracy / deviations

Correction factor		steel: 1 / stainless steel: 0.7 / brass: 0.4 / aluminum: 0.3 / copper: 0.2
Hysteresis	[% of Sr]	1...15
Switch-point drift	[% of Sr]	-10...10

Operating conditions

Ambient temperature	[°C]	-25...80
Protection		IP 65

Tests / approvals

EMC	EN 60947-5-2	
	EN 55011	class B

Mechanical data

Weight	[g]	453.592
Housing		rectangular
Mounting		non-flush mountable
Dimensions	[mm]	105 x 80 x 40
Material		PPE modified

Displays / operating elements

Display	Switching status	1 x LED, yellow
---------	------------------	-----------------

Accessories

Items supplied		screwdriver: 1
----------------	--	----------------

Remarks

Pack quantity		1 pcs.
---------------	--	--------

Electrical connection - plug

Connector: 1 x M12; coding: A



ID8504



Inductive sensor

IDE3060-FNKG/US100DNS

Connection

