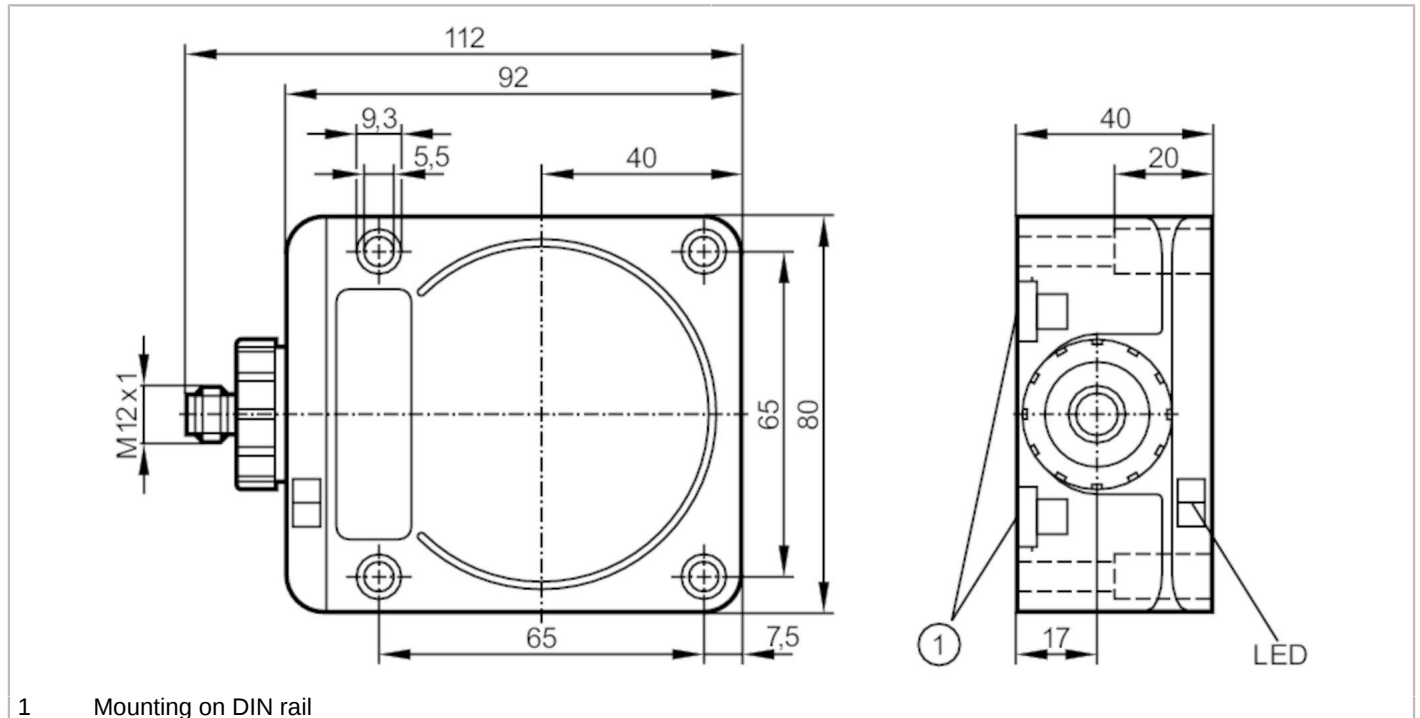


# ID5075



## Inductive sensor

IDC3050BANKG/US



Product characteristics		
Electrical design		NPN
Output function		normally open
Sensing range	[mm]	50
Housing		rectangular
Dimensions	[mm]	92 x 80 x 40
Electrical data		
Operating voltage	[V]	10...36 DC
Current consumption	[mA]	15; (24 V)
Protection class		II
Reverse polarity protection		yes
Outputs		
Electrical design		NPN
Output function		normally open
Max. voltage drop switching output DC	[V]	2.5
Permanent current rating of switching output DC	[mA]	200
Switching frequency DC	[Hz]	4
Short-circuit protection		yes
Type of short-circuit protection		yes (non-latching)
Overload protection		yes
Monitoring range		
Sensing range	[mm]	50

# ID5075



## Inductive sensor

IDC3050BANKG/US

Operating distance [mm] 0...40.5; (mounted flush with mild steel (ST37))

### Accuracy / deviations

Correction factor	steel: 1 / stainless steel: 0.7 / brass: 0.4 / aluminum: 0.3 / copper: 0.2
Hysteresis [% of Sr]	1...15
Switch-point drift [% of Sr]	-10...10

### Operating conditions

Ambient temperature [°C]	-25...80
Protection	IP 67

### Tests / approvals

EMC	EN 60947-5-2	
	EN 55011	
MTTF [years]	2225	

### Mechanical data

Weight [g]	418
Housing	rectangular
Mounting	flush mountable
Type of mounting	rail; (TH35 (EN 60715))
Dimensions [mm]	92 x 80 x 40
Material	PPE; diecast zinc nickel-plated

### Displays / operating elements

Display	Switching status	1 x LED, yellow
	Power	1 x LED, green

### Accessories

Items supplied	sealing plug: 1
----------------	-----------------

### Remarks

Pack quantity	1 pcs.
---------------	--------

### Electrical connection - plug

Connector: 1 x M12; coding: A



# ID5075



## Inductive sensor

IDC3050BANKG/US

### Connection

