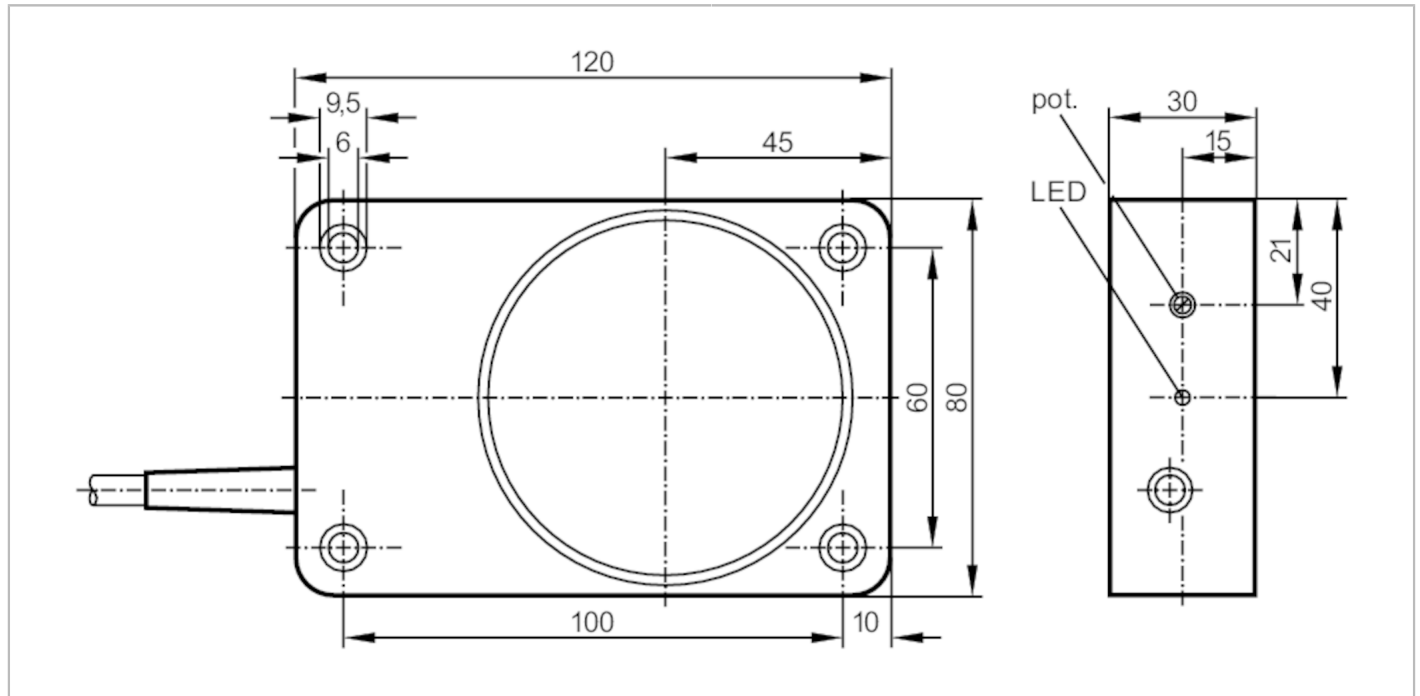


ID5028



Inductive sensor

ID-3050-ANKG



Product characteristics

Electrical design		NPN
Output function		normally open
Sensing range	[mm]	50
Housing		rectangular
Dimensions	[mm]	120 x 80 x 30

Electrical data

Operating voltage	[V]	10...36 DC
Current consumption	[mA]	15; (24 V)
Protection class		II
Reverse polarity protection		yes

Outputs

Electrical design		NPN
Output function		normally open
Max. voltage drop switching output DC	[V]	2.5
Permanent current rating of switching output DC	[mA]	250
Switching frequency DC	[Hz]	8
Short-circuit protection		yes
Type of short-circuit protection		yes (non-latching)
Overload protection		yes

Monitoring range

Sensing range	[mm]	50
---------------	------	----

ID5028



Inductive sensor

ID-3050-ANKG

Sensing range adjustable	yes	
Factory setting sensing range [mm]	50	
Real sensing range Sr [mm]	50 ± 10 %	
Operating distance [mm]	0...40.5	
Accuracy / deviations		
Correction factor	steel: 1 / stainless steel: 0.7 / brass: 0.4 / aluminum: 0.3 / copper: 0.2	
Hysteresis [% of Sr]	1...15	
Switch-point drift [% of Sr]	-10...10	
Operating conditions		
Ambient temperature [°C]	-25...80	
Protection	IP 65	
Tests / approvals		
EMC	EN 60947-5-2	
	EN 55011 class B	
MTTF [years]	1132	
Mechanical data		
Weight [g]	595.5	
Housing	rectangular	
Mounting	non-flush mountable	
Dimensions [mm]	120 x 80 x 30	
Material	PPE modified	
Displays / operating elements		
Display	Switching status	1 x LED, yellow
Accessories		
Items supplied	screwdriver: 1	
Remarks		
Pack quantity	1 pcs.	

ID5028



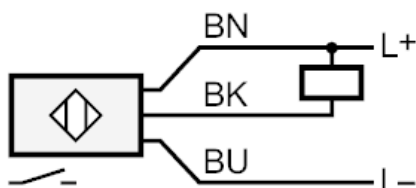
Inductive sensor

ID-3050-ANKG

Electrical connection

Cable: 2 m, PVC; 3 x 0.5 mm²

Connection



Core colors :
BN = brown
BU = blue
BK = black