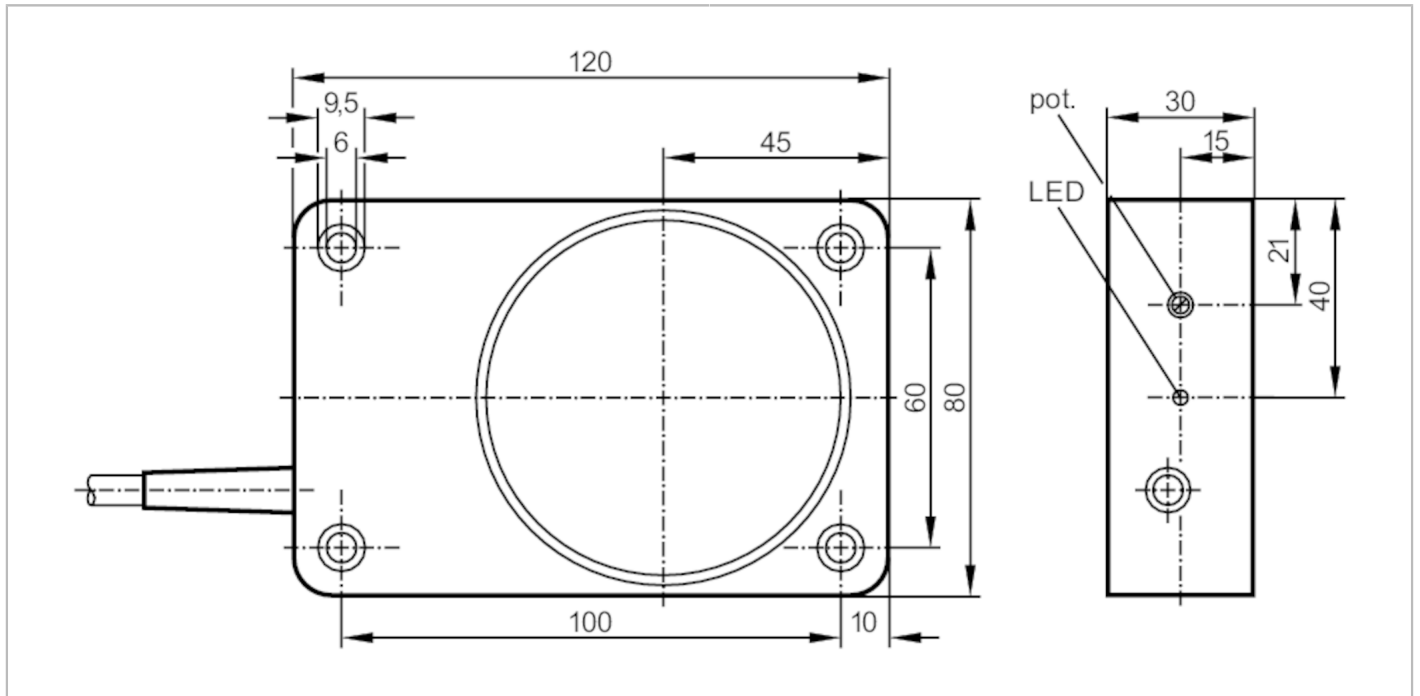


ID5026



Inductive sensor

ID-3050-BPKG



Product characteristics

Electrical design		PNP
Output function		normally open
Sensing range	[mm]	50
Housing		rectangular
Dimensions	[mm]	120 x 80 x 30

Electrical data

Operating voltage	[V]	10...36 DC
Current consumption	[mA]	15; (24 V)
Protection class		II
Reverse polarity protection		yes

Outputs

Electrical design		PNP
Output function		normally open
Max. voltage drop switching output DC	[V]	2.5
Permanent current rating of switching output DC	[mA]	250
Switching frequency DC	[Hz]	100
Short-circuit protection		yes
Type of short-circuit protection		yes (non-latching)
Overload protection		yes

Monitoring range

Sensing range	[mm]	50
---------------	------	----

ID5026



Inductive sensor

ID-3050-BPKG

Sensing range adjustable		yes
Factory setting sensing range [mm]		50
Real sensing range Sr [mm]		50 ± 10 %
Operating distance [mm]		0...40.5
Accuracy / deviations		
Correction factor		steel: 1 / stainless steel: 0.7 / brass: 0.4 / aluminum: 0.3 / copper: 0.2
Hysteresis [% of Sr]		1...15
Switch-point drift [% of Sr]		-10...10
Operating conditions		
Ambient temperature [°C]		-25...80
Protection		IP 67
Tests / approvals		
EMC	EN 61000-4-2 ESD	- CD / 8 kV AD
	EN 61000-4-3 HF radiated	10 V/m
	EN 61000-4-4 Burst	2 kV
	EN 61000-4-5 Surge	0,5 kV line to line, Ri: 2 Ohm
	EN 61000-4-6 HF conducted	3 V
	EN 55011	class B
MTTF [years]		1390
Mechanical data		
Weight [g]		595
Housing		rectangular
Mounting		non-flush mountable
Dimensions [mm]		120 x 80 x 30
Material		PPE
Displays / operating elements		
Display	Switching status	1 x LED, yellow
Accessories		
Items supplied		screwdriver: 1
Remarks		
Pack quantity		1 pcs.

ID5026



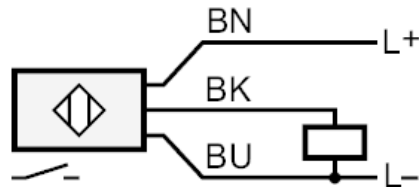
Inductive sensor

ID-3050-BPKG

Electrical connection

Cable: 2 m, PVC; 3 x 0.5 mm²

Connection



Core colors :
BN = brown
BU = blue
BK = black