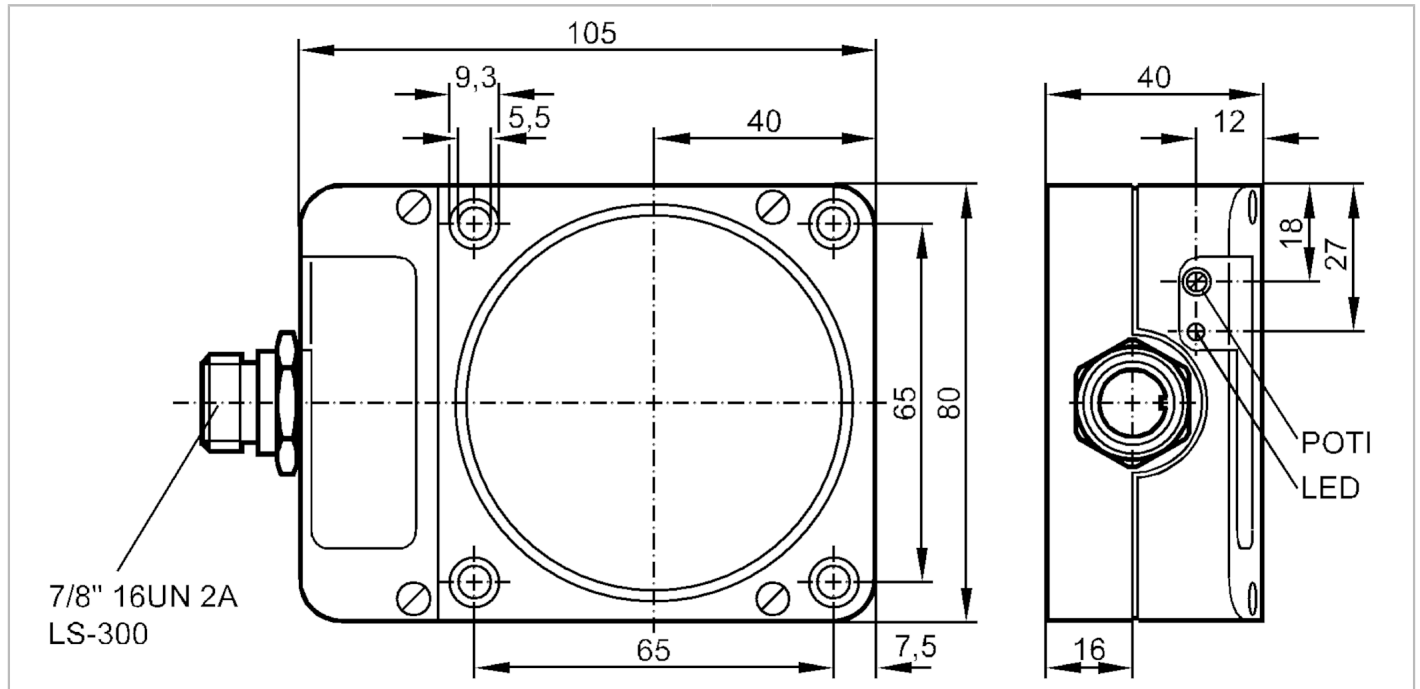


# ID3507



## Inductive sensor

IDE2060-FBOA/NPT/LS300L RT



### Product characteristics

Output function		normally open / normally closed; (selectable , via internal terminals 4 + 5)
Sensing range	[mm]	60
Housing		rectangular

### Electrical data

Operating voltage	[V]	20...250 AC/DC
Protection class		I
Reverse polarity protection		no

### Outputs

Output function		normally open / normally closed; (selectable , via internal terminals 4 + 5)
Max. voltage drop switching output DC	[V]	6.5
Max. voltage drop switching output AC	[V]	6.5
Minimum load current	[mA]	5
Max. leakage current	[mA]	2.5 (250 V AC) / 1.3 (110 V AC) / 1 (24 V DC)
Permanent current rating of switching output AC	[mA]	250; (350 (...50 °C))
Permanent current rating of switching output DC	[mA]	100
Short-time current rating of switching output	[mA]	2200; (20 ms / 0,5 Hz)
Switching frequency AC	[Hz]	4
Switching frequency DC	[Hz]	4
Factory setting		normally open
Short-circuit protection		no
Overload protection		no

# ID3507



## Inductive sensor

IDE2060-FBOA/NPT/LS300L RT

Detection zone		
Sensing range [mm]		60
Sensing range adjustable		yes
Factory setting sensing range [mm]		60
Real sensing range Sr [mm]		60 ± 10 %
Operating distance [mm]		0...48.6
Accuracy / deviations		
Correction factor		steel: 1 / stainless steel: 0.7 / brass: 0.4 / aluminium: 0.3 / copper: 0.2
Hysteresis [% of Sr]		1...15
Switch point drift [% of Sr]		-10...10
Operating conditions		
Ambient temperature [°C]		-25...80
Protection		IP 65
Tests / approvals		
EMC	EN 60947-5-2	
	EN 55011	class B
Mechanical data		
Weight [g]		477.5
Housing		rectangular
Mounting		non-flush mountable
Materials		PPE
Displays / operating elements		
Display	switching status	1 x LED, red
Electrical connection		
Required protection		miniature fuse to IEC60127-2 sheet 1; ≤ 2 A; fast acting
Accessories		
Items supplied		screwdriver: 1
Remarks		
Remarks		Recommendation: Check the safe functioning of the unit after a short circuit.
Pack quantity		1 pcs.

# ID3507

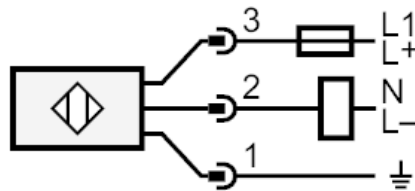


## Inductive sensor

IDE2060-FBOA/NPT/LS300L RT

### Electrical connection - plug

Connector: 1 x 7/8"; coding: A



Note miniature fuse to IEC60127-2 sheet 1  $\leq 2$  A fast acting