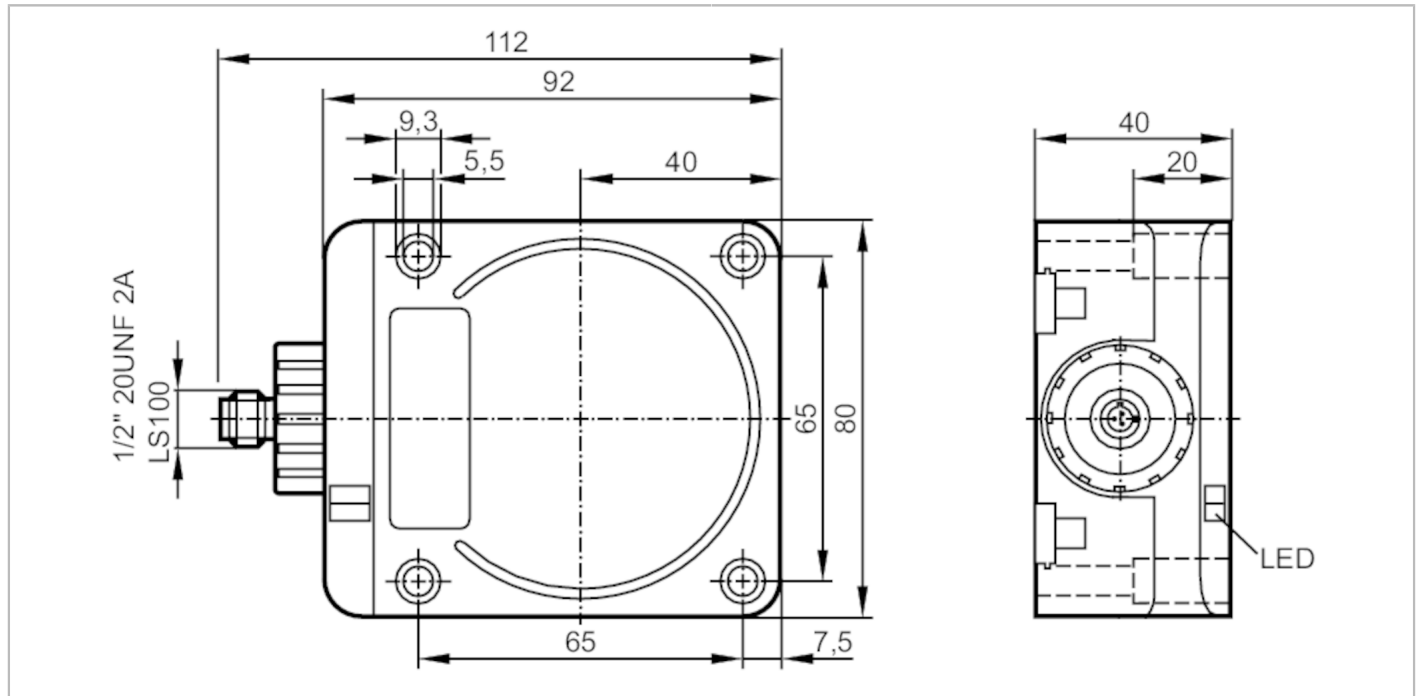


ID0039



Inductive sensor

IDC2050BARKA/LS-100AK



Product characteristics

Output function		normally open
Sensing range	[mm]	50
Housing		rectangular
Dimensions	[mm]	92 x 80 x 40

Electrical data

Frequency AC	[Hz]	47...63
Operating voltage	[V]	20...140 AC / 10...140 DC
Protection class		I
Reverse polarity protection		yes

Outputs

Output function		normally open
Max. voltage drop switching output DC	[V]	6
Max. voltage drop switching output AC	[V]	6
Minimum load current	[mA]	5.5
Max. leakage current	[mA]	1.7 (140 V AC/DC)
Permanent current rating of switching output AC	[mA]	450
Permanent current rating of switching output DC	[mA]	450
Short-time current rating of switching output	[mA]	2200; (20 ms / 0,5 Hz)
Switching frequency AC	[Hz]	25
Switching frequency DC	[Hz]	25

ID0039



Inductive sensor

IDC2050BARKA/LS-100AK

Short-circuit protection	yes	
Type of short-circuit protection	yes (non-latching)	
Overload protection	yes	
Monitoring range		
Sensing range [mm]	50	
Operating distance [mm]	0...40.5; (mounted flush with mild steel (ST37))	
Accuracy / deviations		
Correction factor	steel: 1 / stainless steel: 0.85 / brass: 0.48 / aluminum: 0.46 / copper: 0.38	
Hysteresis [% of Sr]	3...20	
Switch-point drift [% of Sr]	-15...15	
Operating conditions		
Ambient temperature [°C]	-25...70	
Protection	IP 67	
Tests / approvals		
EMC	EN 60947-5-2	
MTTF [years]	352	
UL approval	Ta	0...40 °C
	Enclosure type	Type 1
	voltage supply	Hazardous voltage
	File number UL	E174191
Mechanical data		
Weight [g]	427	
Housing	rectangular	
Mounting	flush mountable	
Dimensions [mm]	92 x 80 x 40	
Material	PPE; diecast zinc; brass nickel-plated	
Displays / operating elements		
Display	Switching status	1 x LED, red
	Power	1 x LED, green
	short circuit	1 x LED, green/red alternately flashing
Accessories		
Items supplied	sealing plug: 1	
Remarks		
Pack quantity	1 pcs.	

ID0039



Inductive sensor

IDC2050BARKA/LS-100AK

Electrical connection - plug

Connector: 1 x 1/2"; coding: C

