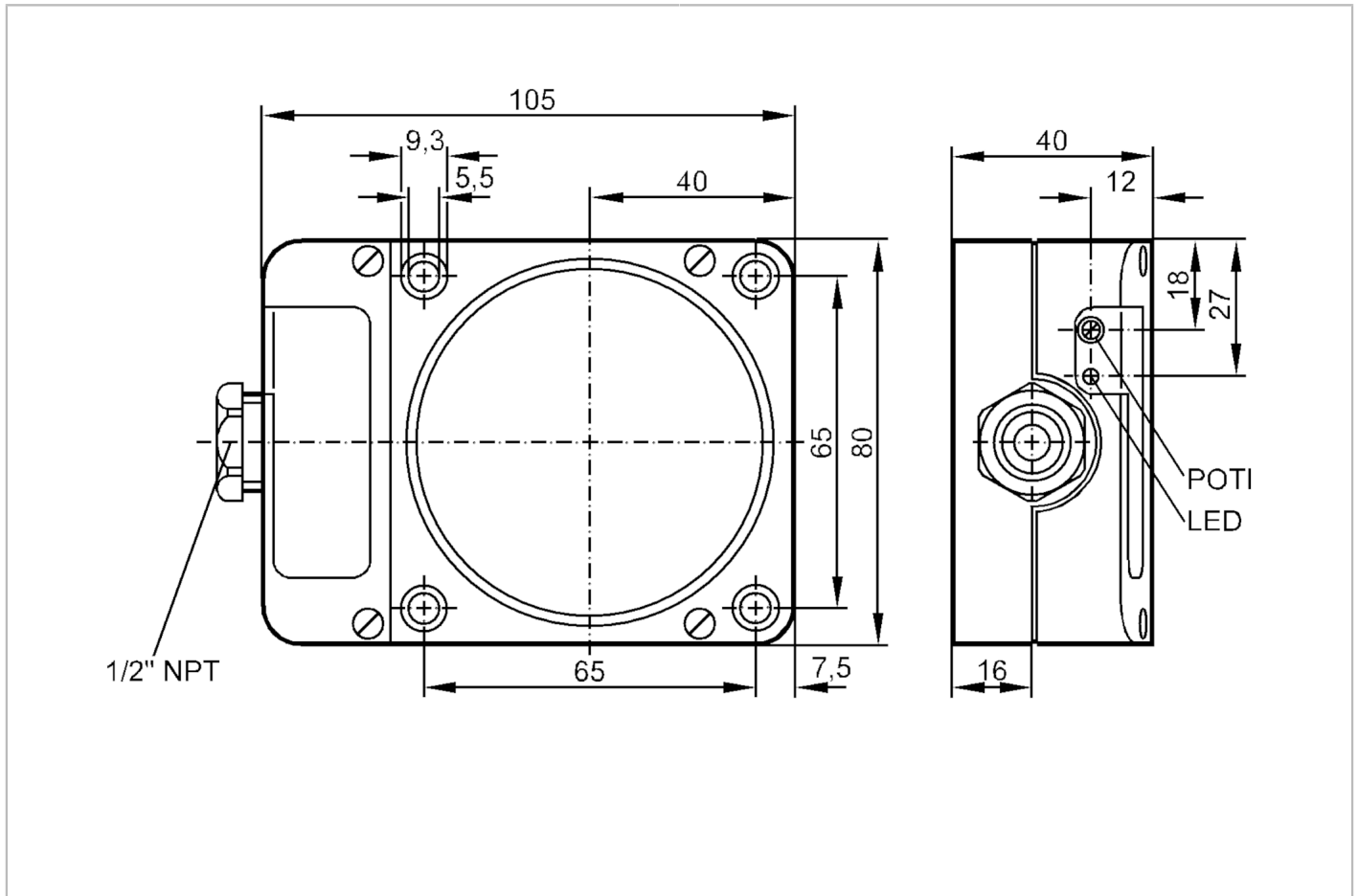


ID0036



Inductive sensor

IDE2060-FBOA/NPT/RT



| Product characteristics | |
|--|---|
| Output function | normally open / closed; (selectable) |
| Sensing range [mm] | 60 |
| Housing | rectangular |
| Electrical data | |
| Operating voltage [V] | 20...250 AC/DC |
| Protection class | II |
| Reverse polarity protection | no |
| Outputs | |
| Output function | normally open / closed; (selectable) |
| Max. voltage drop switching output DC [V] | 6.5 |
| Max. voltage drop switching output AC [V] | 6.5 |
| Minimum load current [mA] | 5 |
| Max. leakage current [mA] | 2.5 (250 V AC) / 1.3 (110 V AC) / 1 (24 V DC) |
| Permanent current rating of switching output AC [mA] | 250; (350 (...50 °C)) |
| Permanent current rating of switching output DC [mA] | 100 |

ID0036



Inductive sensor

IDE2060-FBOA/NPT/RT

| | | |
|---|------|------------------------|
| Short-time current rating of switching output | [mA] | 2200; (20 ms / 0,5 Hz) |
| Switching frequency AC | [Hz] | 4 |
| Switching frequency DC | [Hz] | 4 |
| Short-circuit proof | | no |
| Overload protection | | no |

Monitoring range

| | | |
|-------------------------------|------|-----------|
| Sensing range | [mm] | 60 |
| Sensing range adjustable | | yes |
| Factory setting sensing range | [mm] | 60 |
| Real sensing range Sr | [mm] | 60 ± 10 % |
| Operating distance | [mm] | 0...48.6 |

Accuracy / deviations

| | | |
|--------------------|-----------|--|
| Correction factor | | steel: 1 / stainless steel: 0.7 / brass: 0.4 / aluminum: 0.3 / copper: 0.2 |
| Hysteresis | [% of Sr] | 1...15 |
| Switch-point drift | [% of Sr] | -10...10 |

Operating conditions

| | | |
|---------------------|------|----------|
| Ambient temperature | [°C] | -25...80 |
| Protection | | IP 65 |

Tests / approvals

| | | |
|-------------|----------------|-------------------|
| EMC | EN 60947-5-2 | |
| | EN 55011 | class B |
| MTTF | [years] | 460 |
| UL approval | Ta | 0...40 °C |
| | Enclosure type | Type 1 |
| | voltage supply | Hazardous voltage |
| | File number UL | E174191 |

Mechanical data

| | | |
|----------|-----|---------------------|
| Weight | [g] | 450.5 |
| Housing | | rectangular |
| Mounting | | non-flush mountable |
| Material | | PPE |

Displays / operating elements

| | | |
|---------|------------------|--------------|
| Display | Switching status | 1 x LED, red |
|---------|------------------|--------------|

Electrical connection

| | | |
|---------------------|--|--|
| Required protection | | miniature fuse to IEC60127-2 sheet 1; ≤ 2 A; fast acting |
|---------------------|--|--|

Accessories

| | | |
|----------------|--|----------------|
| Items supplied | | screwdriver: 1 |
|----------------|--|----------------|

Remarks

| | | |
|---------------|--|---|
| Remarks | | Recommendation: check the unit for reliable function after a short circuit. |
| Pack quantity | | 1 pcs. |

ID0036



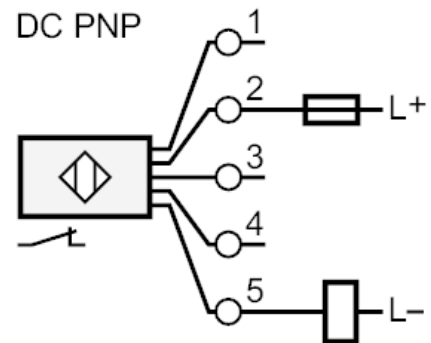
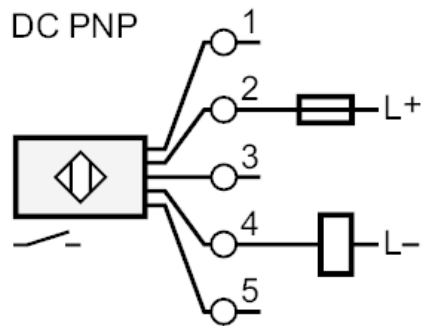
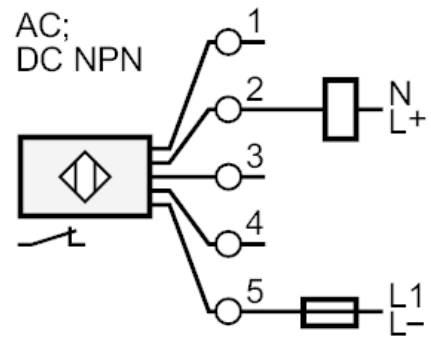
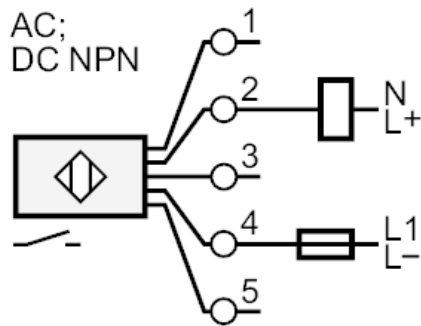
Inductive sensor

IDE2060-FBOA/NPT/RT

Electrical connection

terminals: ...2.5 mm²; Cable sheath: Ø 7...13 mm

Connection



Note miniature fuse to IEC60127-2 sheet 1 ≤ 2 A fast acting