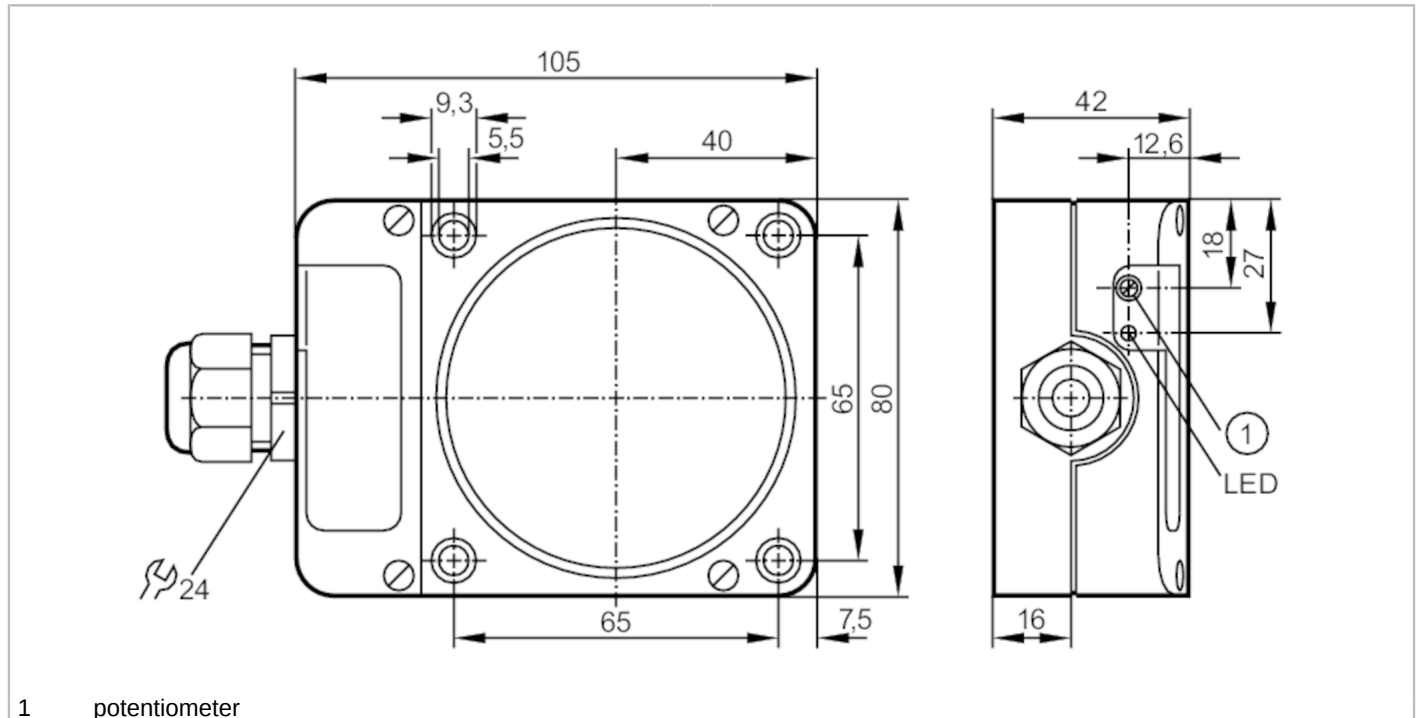


ID002A



Inductive sensor

IDE2060-FBOA/3D



1 potentiometer



Product characteristics

| | | |
|-----------------|------|--------------------------------------|
| Output function | | normally open / closed; (selectable) |
| Sensing range | [mm] | 60 |
| Housing | | rectangular |
| Dimensions | [mm] | 105 x 80 x 42 |

Electrical data

| | | |
|-----------------------------|-----|----------------|
| Operating voltage | [V] | 20...250 AC/DC |
| Protection class | | II |
| Reverse polarity protection | | no |

Outputs

| | | |
|---|------|--|
| Output function | | normally open / closed; (selectable) |
| Max. voltage drop switching output DC | [V] | 6 |
| Max. voltage drop switching output AC | [V] | 6.5 |
| Minimum load current | [mA] | 5 |
| Max. leakage current | [mA] | 2.5 (250 V AC) / 1.3 (110 V AC) / 0.8 (24 V DC) |
| Permanent current rating of switching output AC | [mA] | 200 |
| Permanent current rating of switching output DC | [mA] | 100 |
| Short-time current rating of switching output | [mA] | 2200; (20 ms / 0,5 Hz) |
| Switching frequency AC | [Hz] | 4 |
| Switching frequency DC | [Hz] | 4 |
| Notes on switching frequency | [Hz] | only for resistive loads; 2 Hz for utilization category AC-140 |

ID002A



Inductive sensor

IDE2060-FBOA/3D

| | | |
|--------------------------------------|------------------|--|
| Short-circuit proof | | no |
| Overload protection | | no |
| Monitoring range | | |
| Sensing range [mm] | | 60 |
| Sensing range adjustable | | yes |
| Factory setting sensing range [mm] | | 60 |
| Real sensing range Sr [mm] | | 60 ± 10 % |
| Operating distance [mm] | | 0...48.6 |
| Accuracy / deviations | | |
| Correction factor | | steel: 1 / stainless steel: 0.7 / brass: 0.4 / aluminum: 0.3 / copper: 0.2 |
| Hysteresis [% of Sr] | | 1...15 |
| Switch-point drift [% of Sr] | | -10...10 |
| Operating conditions | | |
| Ambient temperature [°C] | | -20...60 |
| Protection | | IP 65 |
| Tests / approvals | | |
| ATEX marking | | II 3D Ex tc IIIC T90°C Dc X IP65 |
| EMC | | EN 60947-5-2 |
| MTTF [years] | | 454 |
| Mechanical data | | |
| Weight [g] | | 510 |
| Housing | | rectangular |
| Mounting | | non-flush mountable |
| Dimensions [mm] | | 105 x 80 x 42 |
| Material | | PPE modified; PA |
| Tightening torque [Nm] | | housing screws: 0,9 Nm; screws: 4 Nm |
| Displays / operating elements | | |
| Display | Switching status | 1 x LED, yellow |
| Electrical connection | | |
| Required protection | | miniature fuse to IEC60127-2 sheet 1; ≤ 2 A; fast acting; Place the fuse outside the hazardous area. |
| Accessories | | |
| Items supplied | | screwdriver: 1 |
| Remarks | | |
| Remarks | | Recommendation: check the unit for reliable function after a short circuit. |
| Pack quantity | | 1 pcs. |

ID002A



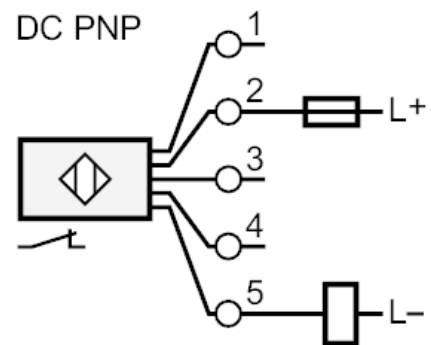
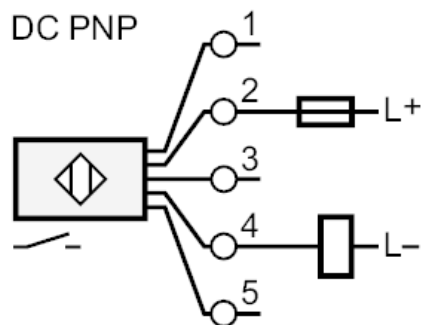
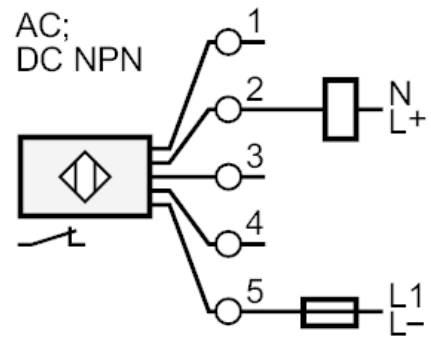
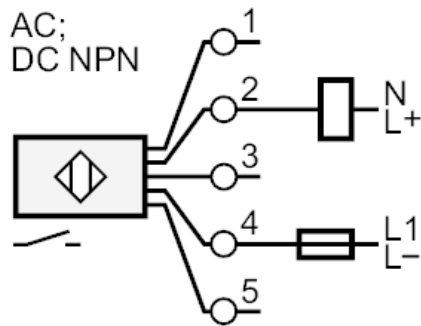
Inductive sensor

IDE2060-FBOA/3D

Electrical connection

terminals: 0.34...2.5 mm²; Cable sheath: Ø 5...9 mm; Cable gland: M20 X 1.5

Connection



Note miniature fuse to IEC60127-2 sheet 1 ≤ 2 A fast acting
Place the fuse outside the hazardous area.