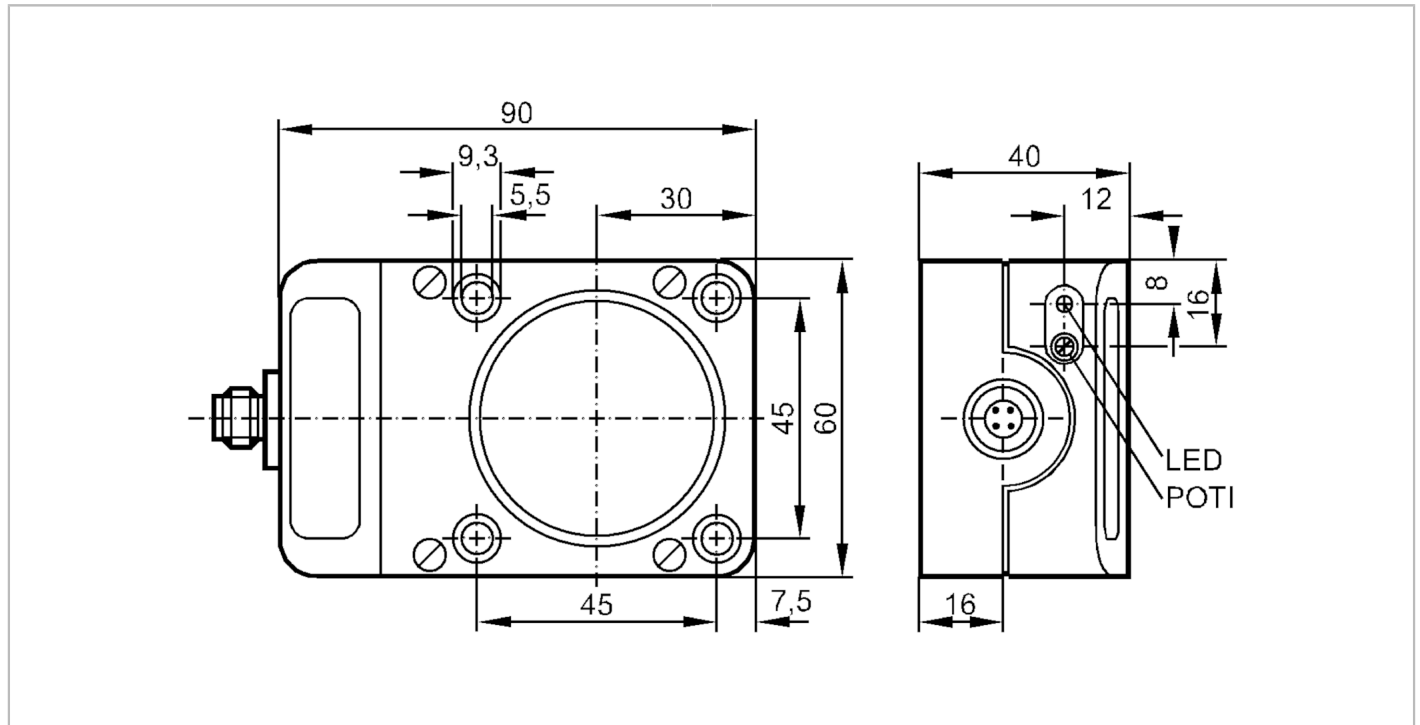


# IC3501



## Inductive sensor

ICE2040-FBOA/LS100AK



Product characteristics		
Output function		normally open
Sensing range	[mm]	40
Housing		rectangular
Dimensions	[mm]	90 x 60 x 40
Electrical data		
Operating voltage	[V]	20...250 AC/DC
Protection class		II
Reverse polarity protection		no
Outputs		
Output function		normally open
Max. voltage drop switching output DC	[V]	6
Max. voltage drop switching output AC	[V]	6.5
Minimum load current	[mA]	5
Max. leakage current	[mA]	2.5 (250 V AC) / 1.3 (110 V AC) / 0.8 (24 V DC)
Permanent current rating of switching output AC	[mA]	250; (350 (...50 °C))
Permanent current rating of switching output DC	[mA]	100
Short-time current rating of switching output	[mA]	2200; (20 ms / 0,5 Hz)
Switching frequency AC	[Hz]	10
Switching frequency DC	[Hz]	10
Short-circuit protection		no
Overload protection		no

# IC3501



## Inductive sensor

ICE2040-FBOA/LS100AK

Monitoring range		
Sensing range	[mm]	40
Sensing range adjustable		yes
Factory setting sensing range	[mm]	40
Real sensing range Sr	[mm]	40 ± 10 %
Operating distance	[mm]	0...32.4

Accuracy / deviations		
Correction factor		steel: 1 / stainless steel: 0.7 / brass: 0.4 / aluminum: 0.3 / copper: 0.2
Hysteresis	[% of Sr]	1...15
Switch-point drift	[% of Sr]	-10...10

Operating conditions		
Ambient temperature	[°C]	-25...80
Protection		IP 65

Tests / approvals		
EMC	EN 60947-5-2	
	EN 55011	class B

Mechanical data		
Weight	[g]	290.299
Housing		rectangular
Mounting		non-flush mountable
Dimensions	[mm]	90 x 60 x 40
Material		PPE

Displays / operating elements		
Display	Switching status	1 x LED, red

Accessories		
Items supplied		screwdriver: 1

Remarks		
Pack quantity		1 pcs.

### Electrical connection - plug

Connector: 1 x 1/2"; coding: C



# IC3501



## Inductive sensor

ICE2040-FBOA/LS100AK

### Connection

