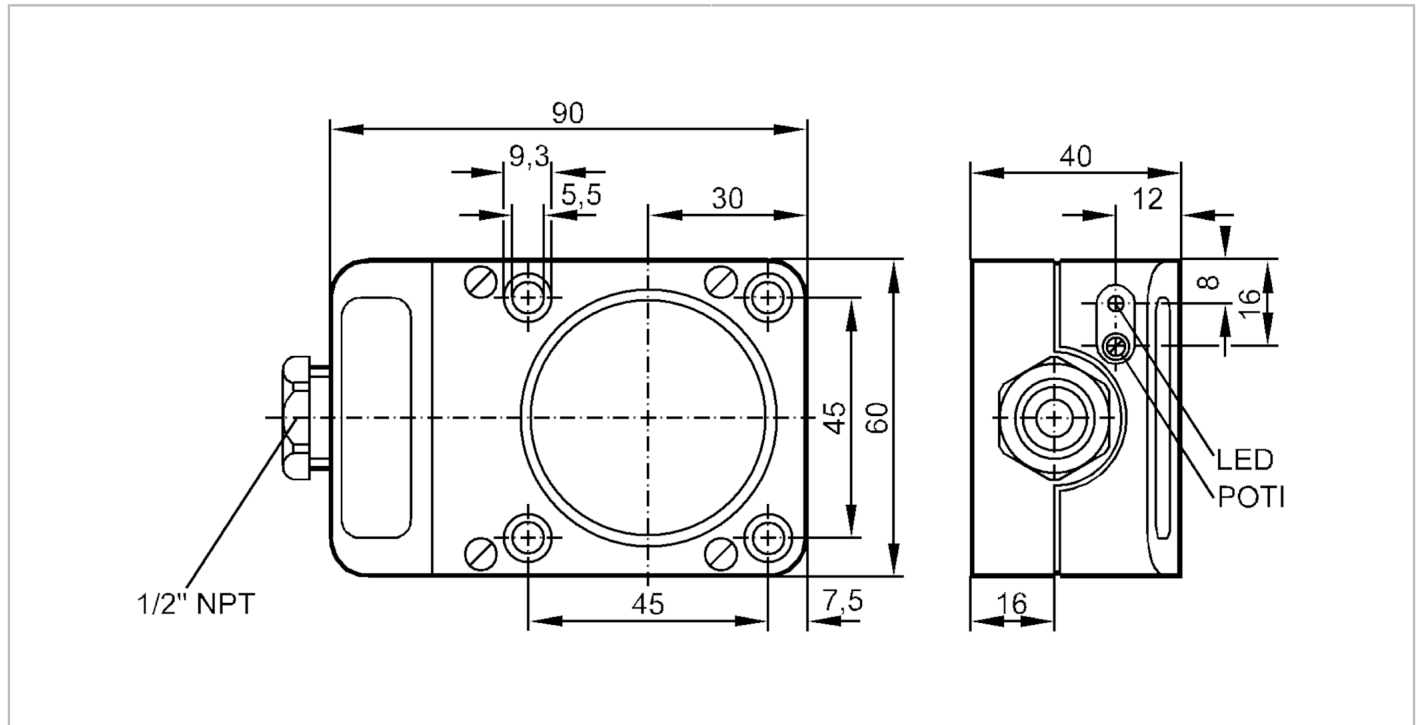


# IC0006



## Inductive sensor

ICE2040-FBOA/NPT/RT



| Product characteristics                              |   |
|--|---|
| Output function                                      | normally open / closed; (selectable)            |
| Sensing range [mm]                                   | 40  |
| Housing  | rectangular                                     |
| Electrical data                                      |   |
| Operating voltage [V]                                | 20...250 AC/DC                                  |
| Protection class                                     | II  |
| Reverse polarity protection                          | no  |
| Outputs  |   |
| Output function                                      | normally open / closed; (selectable)            |
| Max. voltage drop switching output DC [V]            | 6   |
| Max. voltage drop switching output AC [V]            | 6.5   |
| Minimum load current [mA]                            | 5   |
| Max. leakage current [mA]                            | 2.5 (250 V AC) / 1.3 (110 V AC) / 0.8 (24 V DC) |
| Permanent current rating of switching output AC [mA] | 250; (350 (...50 °C))                           |
| Permanent current rating of switching output DC [mA] | 100   |
| Short-time current rating of switching output [mA]   | 2200; (20 ms / 0,5 Hz)                          |
| Switching frequency AC [Hz]                          | 10  |
| Switching frequency DC [Hz]                          | 10  |
| Short-circuit proof                                  | no  |
| Overload protection                                  | no  |

# IC0006



## Inductive sensor

ICE2040-FBOA/NPT/RT

| Monitoring range              |                  |   |
|-------------------------------|------------------|---|
| Sensing range                 | [mm]             | 40  |
| Sensing range adjustable      |                  | yes   |
| Factory setting sensing range | [mm]             | 40  |
| Real sensing range Sr         | [mm]             | 40 ± 10 %   |
| Operating distance            | [mm]             | 0...32.4  |
| Accuracy / deviations         |                  |   |
| Correction factor             |                  | steel: 1 / stainless steel: 0.7 / brass: 0.4 / aluminum: 0.3 / copper: 0.2  |
| Hysteresis                    | [% of Sr]        | 1...15  |
| Switch-point drift            | [% of Sr]        | -10...10  |
| Operating conditions          |                  |   |
| Ambient temperature           | [°C]             | -25...80  |
| Protection                    |                  | IP 65   |
| Tests / approvals             |                  |   |
| EMC                           | EN 60947-5-2     |   |
|                               | EN 55011         | class B   |
| MTTF                          | [years]          | 496   |
| UL approval                   | Ta               | 0...40 °C   |
|                               | Enclosure type   | Type 1  |
|                               | voltage supply   | Hazardous voltage   |
|                               | File number UL   | E174191   |
| Mechanical data               |                  |   |
| Weight                        | [g]              | 274.5   |
| Housing                       |                  | rectangular   |
| Mounting                      |                  | non-flush mountable   |
| Material                      |                  | PPE   |
| Displays / operating elements |                  |   |
| Display                       | Switching status | 1 x LED, red  |
| Electrical connection         |                  |   |
| Required protection           |                  | miniature fuse to IEC60127-2 sheet 1; ≤ 2 A; fast acting                    |
| Accessories                   |                  |   |
| Items supplied                |                  | screwdriver: 1  |
|                               |                  | spring washers: 4   |
|                               |                  | cylinder screws: 4 x M5 x 35  |
| Remarks                       |                  |   |
| Remarks                       |                  | Recommendation: check the unit for reliable function after a short circuit. |
| Pack quantity                 |                  | 1 pcs.  |

# IC0006



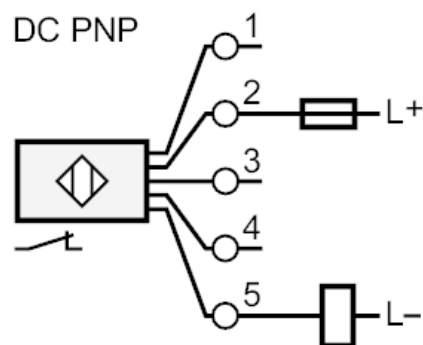
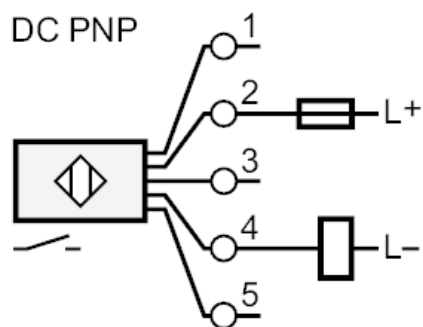
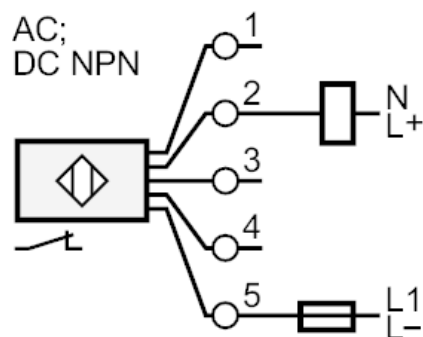
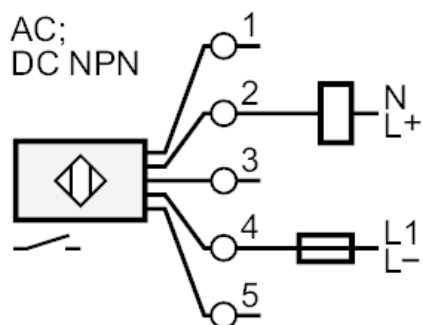
## Inductive sensor

ICE2040-FBOA/NPT/RT

### Electrical connection

terminals: ...2.5 mm<sup>2</sup>; Cable sheath: Ø 7...13 mm

### Connection



Note miniature fuse to IEC60127-2 sheet 1 ≤ 2 A fast acting