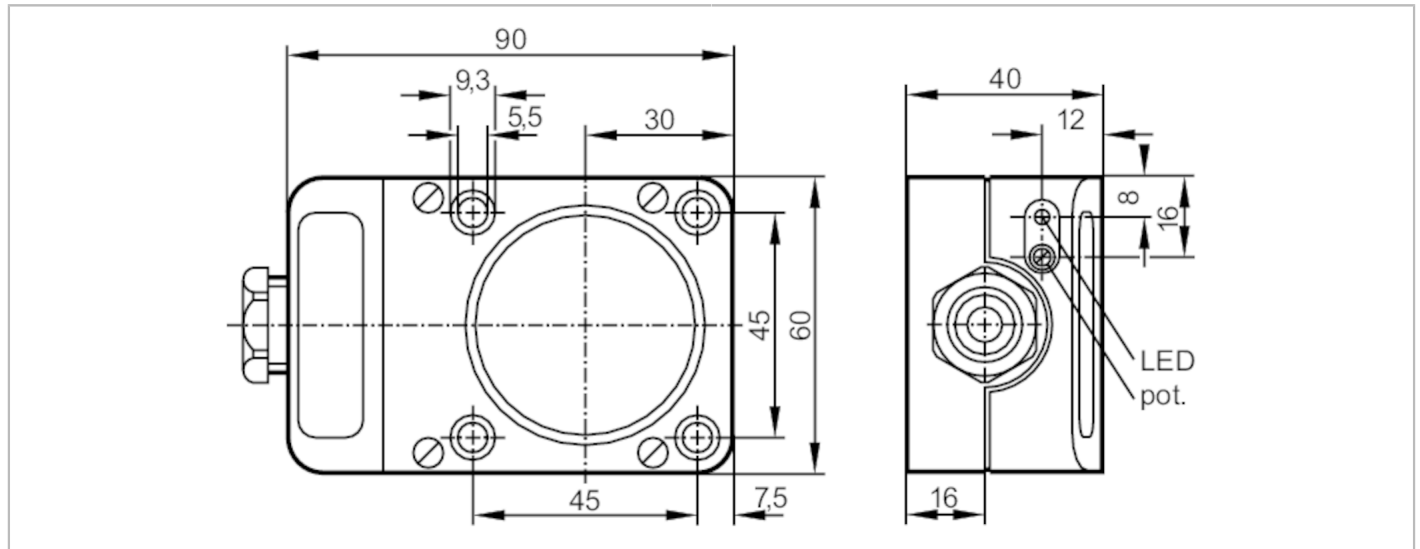


IC0003



Inductive sensor

ICE2040-FBOA



| Product characteristics | |
|--|---|
| Output function | normally open / closed; (selectable) |
| Sensing range [mm] | 40 |
| Housing | rectangular |
| Dimensions [mm] | 90 x 60 x 40 |
| Electrical data | |
| Operating voltage [V] | 20...250 AC/DC |
| Protection class | II |
| Reverse polarity protection | no |
| Outputs | |
| Output function | normally open / closed; (selectable) |
| Max. voltage drop switching output DC [V] | 6 |
| Max. voltage drop switching output AC [V] | 6.5 |
| Minimum load current [mA] | 5 |
| Max. leakage current [mA] | 2.5 (250 V AC) / 1.3 (110 V AC) / 0.8 (24 V DC) |
| Permanent current rating of switching output AC [mA] | 250; (350 (...50 °C)) |
| Permanent current rating of switching output DC [mA] | 100 |
| Short-time current rating of switching output [mA] | 2200; (20 ms / 0,5 Hz) |
| Switching frequency AC [Hz] | 10 |
| Switching frequency DC [Hz] | 10 |
| Short-circuit proof | no |
| Overload protection | no |
| Monitoring range | |
| Sensing range [mm] | 40 |
| Sensing range adjustable | yes |

IC0003



Inductive sensor

ICE2040-FBOA

| | |
|------------------------------------|-----------|
| Factory setting sensing range [mm] | 40 |
| Real sensing range Sr [mm] | 40 ± 10 % |
| Operating distance [mm] | 0...32.4 |

Accuracy / deviations

| | |
|------------------------------|--|
| Correction factor | steel: 1 / stainless steel: 0.7 / brass: 0.4 / aluminum: 0.3 / copper: 0.2 |
| Hysteresis [% of Sr] | 1...15 |
| Switch-point drift [% of Sr] | -10...10 |

Operating conditions

| | |
|--------------------------|----------|
| Ambient temperature [°C] | -25...80 |
| Protection | IP 65 |

Tests / approvals

| | | |
|--------------|----------------|-------------------|
| EMC | EN 60947-5-2 | |
| | EN 55011 | class B |
| MTTF [years] | 496 | |
| UL approval | Ta | 0...40 °C |
| | Enclosure type | Type 1 |
| | voltage supply | Hazardous voltage |
| | File number UL | E174191 |

Mechanical data

| | |
|-----------------|---------------------|
| Weight [g] | 270 |
| Housing | rectangular |
| Mounting | non-flush mountable |
| Dimensions [mm] | 90 x 60 x 40 |
| Material | PPE |

Displays / operating elements

| | | |
|---------|------------------|-----------------|
| Display | Switching status | 1 x LED, yellow |
|---------|------------------|-----------------|

Electrical connection

| | |
|---------------------|--|
| Required protection | miniature fuse to IEC60127-2 sheet 1; ≤ 2 A; fast acting |
|---------------------|--|

Accessories

| | |
|----------------|------------------------------|
| Items supplied | screwdriver: 1 |
| | spring washers: 4 |
| | cylinder screws: 4 x M5 x 35 |

Remarks

| | |
|---------------|---|
| Remarks | Recommendation: check the unit for reliable function after a short circuit. |
| Pack quantity | 1 pcs. |

IC0003



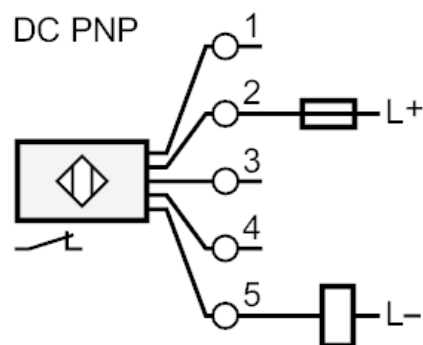
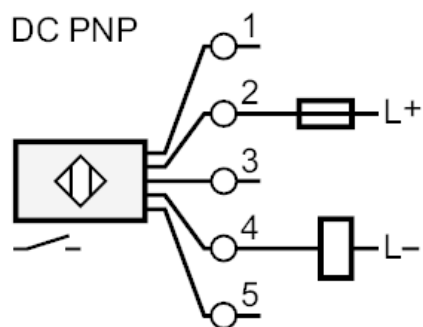
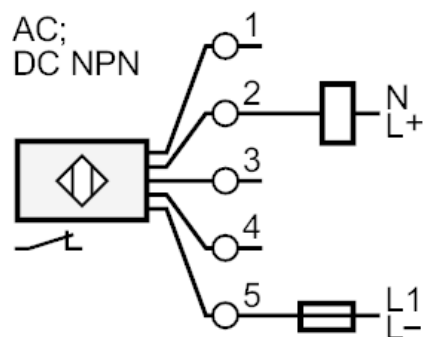
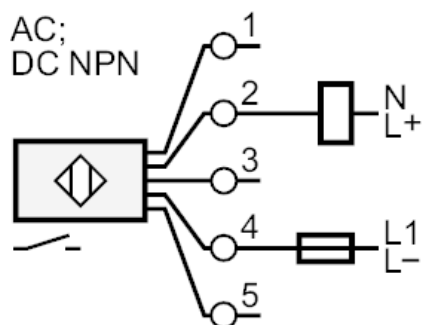
Inductive sensor

ICE2040-FBOA

Electrical connection

terminals: ...2.5 mm²; Cable sheath: Ø 7...13 mm; Cable gland: M20 X 1.5

Connection



Note miniature fuse to IEC60127-2 sheet 1 ≤ 2 A fast acting