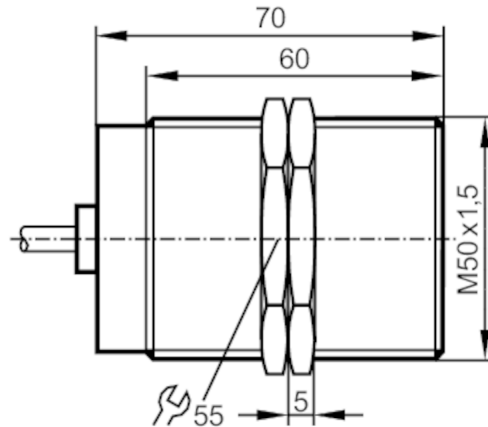




Inductive high-temperature sensor

I9-3020ZBPKG/M50/5M/SH



Product characteristics

Electrical design	PNP
Output function	normally open
Sensing range [mm]	20
Housing	Threaded type
Dimensions [mm]	M50 x 1.5 / L = 70

Application

Application	high-temperature applications
-------------	-------------------------------

Electrical data

Operating voltage [V]	10...35 DC
Current consumption [mA]	< 15
Protection class	III
Reverse polarity protection	yes

Outputs

Electrical design	PNP
Output function	normally open
Max. voltage drop switching output DC [V]	2
Permanent current rating of switching output DC [mA]	150
Switching frequency DC [Hz]	100
Short-circuit protection	yes
Type of short-circuit protection	yes (non-latching)
Overload protection	yes

Monitoring range

Sensing range [mm]	20
Operating distance [mm]	0...16.2

Accuracy / deviations

Correction factor	steel: 1 / stainless steel: 0.6 / brass: 0.3 / aluminum: 0.2 / copper: 0.1
-------------------	--

I95045



Inductive high-temperature sensor

I9-3020ZBPKG/M50/5M/SH

Hysteresis	[% of Sr]	3...15
Switch-point drift	[% of Sr]	-10...10

Operating conditions

Ambient temperature	[°C]	0...180
Protection		IP 65

Tests / approvals

EMC	EN 61000-4-2 ESD	2 kV CD / 4 kV AD
	EN 61000-4-3 HF radiated	3 V/m
	EN 61000-4-4 Burst	2 kV
	EN 61000-4-6 HF conducted	3 V
MTTF	[years]	700

Mechanical data

Weight	[g]	560.5
Housing		Threaded type
Mounting		flush mountable
Dimensions	[mm]	M50 x 1.5 / L = 70
Thread designation		M50 x 1.5
Material		housing: stainless steel; sensing face: LCP

Accessories

Items supplied		lock nuts: 2
----------------	--	--------------

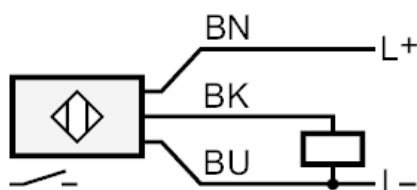
Remarks

Pack quantity		1 pcs.
---------------	--	--------

Electrical connection

Cable: 5 m, silicone; highly flexible; 3 x 0.22 mm²

Connection



Core colors :
BK = black
BN = brown
BU = blue