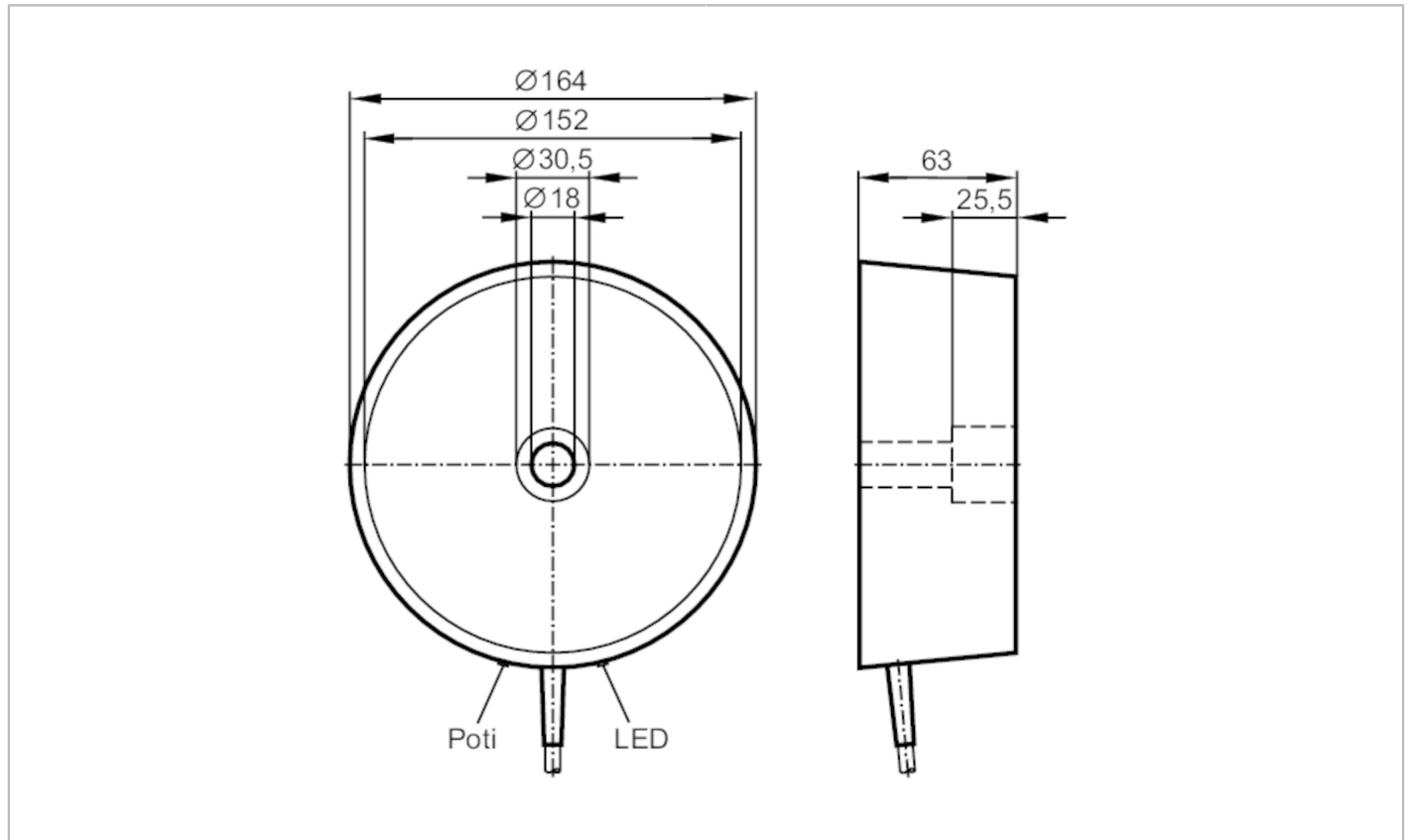




Inductive area sensor

SIY-3120-BPKG



Product characteristics		
Electrical design		PNP
Output function		normally open
Sensing range	[mm]	30...120
Housing		tubular
Dimensions	[mm]	Ø 164 / L = 63
Electrical data		
Operating voltage	[V]	10...36 DC
Current consumption	[mA]	15; (24 V)
Protection class		II
Reverse polarity protection		yes
Outputs		
Electrical design		PNP
Output function		normally open
Max. voltage drop switching output DC	[V]	2.5
Permanent current rating of switching output DC	[mA]	250
Switching frequency DC	[Hz]	3
Short-circuit protection		yes
Type of short-circuit protection		yes (non-latching)

I27001



Inductive area sensor

SIY-3120-BPKG

Overload protection		yes
Monitoring range		
Sensing range [mm]		30...120
Sensing range adjustable		yes
Factory setting sensing range [mm]		120
Real sensing range Sr [mm]		120 ± 10 %
Accuracy / deviations		
Correction factor		steel: 1 / stainless steel: 0.7 / brass: 0.4 / aluminum: 0.3 / copper: 0.2
Hysteresis [% of Sr]		< 15
Switch-point drift [% of Sr]		-15...15
Operating conditions		
Ambient temperature [°C]		-20...70
Protection		IP 65
Tests / approvals		
EMC	EN 60947-5-2	
MTTF [years]		1049
Mechanical data		
Weight [g]		1242.5
Housing		tubular
Mounting		non-flush mountable
Dimensions [mm]		Ø 164 / L = 63
Material		housing: PBT; bottom cover: aluminum
Displays / operating elements		
Display	Switching status	1 x LED, yellow
Accessories		
Items supplied		screws: 1 x M16 x 90
Remarks		
Pack quantity		1 pcs.

I27001



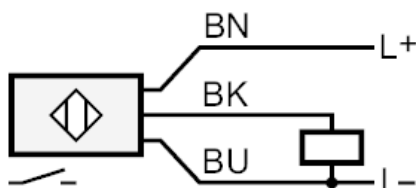
Inductive area sensor

SIY-3120-BPKG

Electrical connection

Cable: 2 m, PVC; 3 x 0.5 mm²

Connection



Core colors :
BK = black
BN = brown
BU = blue