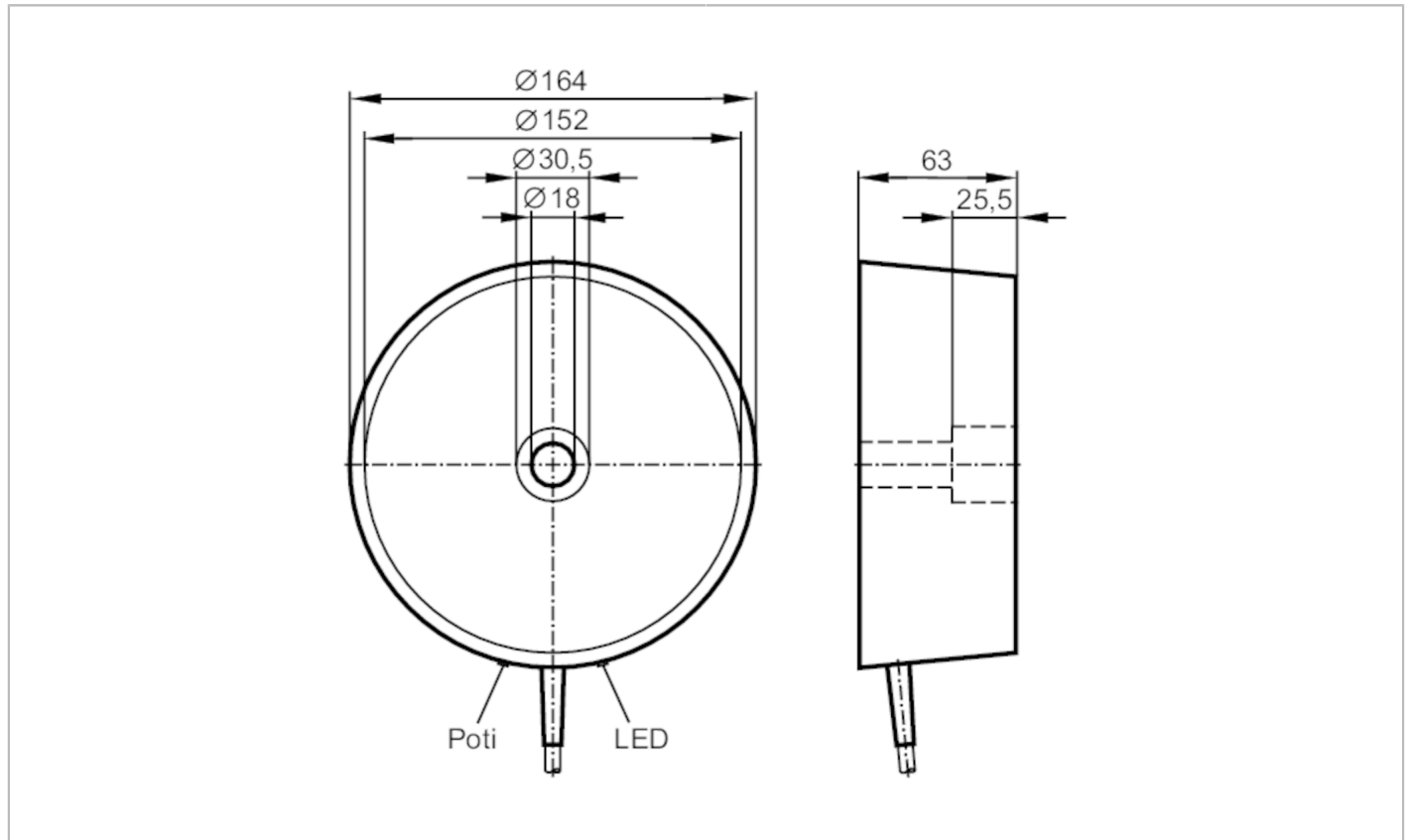




## Inductive area sensor

SIY-2120-BBOW



## Product characteristics

Output function		normally closed
Sensing range	[mm]	30...120
Housing		tubular
Dimensions	[mm]	Ø 164 / L = 63

## Electrical data

Frequency AC	[Hz]	47...63
Operating voltage	[V]	90...250 AC
Protection class		II
Reverse polarity protection		no

## Outputs

Output function		normally closed
Max. voltage drop switching output AC	[V]	11
Minimum load current	[mA]	15
Max. leakage current	[mA]	6
Permanent current rating of switching output AC	[mA]	200; (250 (...50 °C))
Short-time current rating of switching output	[mA]	1500; (10 ms / 0,5 Hz)
Switching frequency AC	[Hz]	3
Short-circuit proof		no

# I22002



## Inductive area sensor

SIY-2120-BBOW

Overload protection		no
<b>Monitoring range</b>		
Sensing range [mm]		30...120
Sensing range adjustable		yes
Factory setting sensing range [mm]		120
Real sensing range Sr [mm]		120 ± 10 %
<b>Accuracy / deviations</b>		
Correction factor		steel: 1 / stainless steel: 0.7 / brass: 0.4 / aluminum: 0.3 / copper: 0.2
Hysteresis [% of Sr]		< 15
Switch-point drift [% of Sr]		-15...15
<b>Operating conditions</b>		
Ambient temperature [°C]		-20...70
Protection		IP 65
<b>Tests / approvals</b>		
EMC	EN 60947-5-2	
<b>Mechanical data</b>		
Weight [g]		1231
Housing		tubular
Mounting		non-flush mountable
Dimensions [mm]		Ø 164 / L = 63
Material		housing: PBT; bottom cover: aluminum
<b>Displays / operating elements</b>		
Display	Switching status	1 x LED, yellow
<b>Electrical connection</b>		
Required protection		miniature fuse to IEC60127-2 sheet 1; ≤ 2 A; fast acting
<b>Remarks</b>		
Remarks		Recommendation: check the unit for reliable function after a short circuit.
Pack quantity		1 pcs.

# I22002



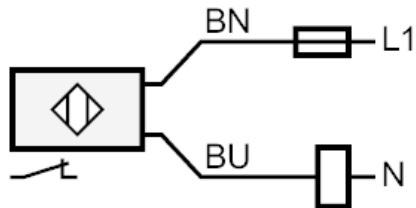
## Inductive area sensor

SIY-2120-BBOW

### Electrical connection

Cable: 2 m, PVC; 2 x 0.5 mm<sup>2</sup>

### Connection



Note miniature fuse to IEC60127-2 sheet 1  $\leq$  2 A fast acting  
Core colors :

BN = brown  
BU = blue