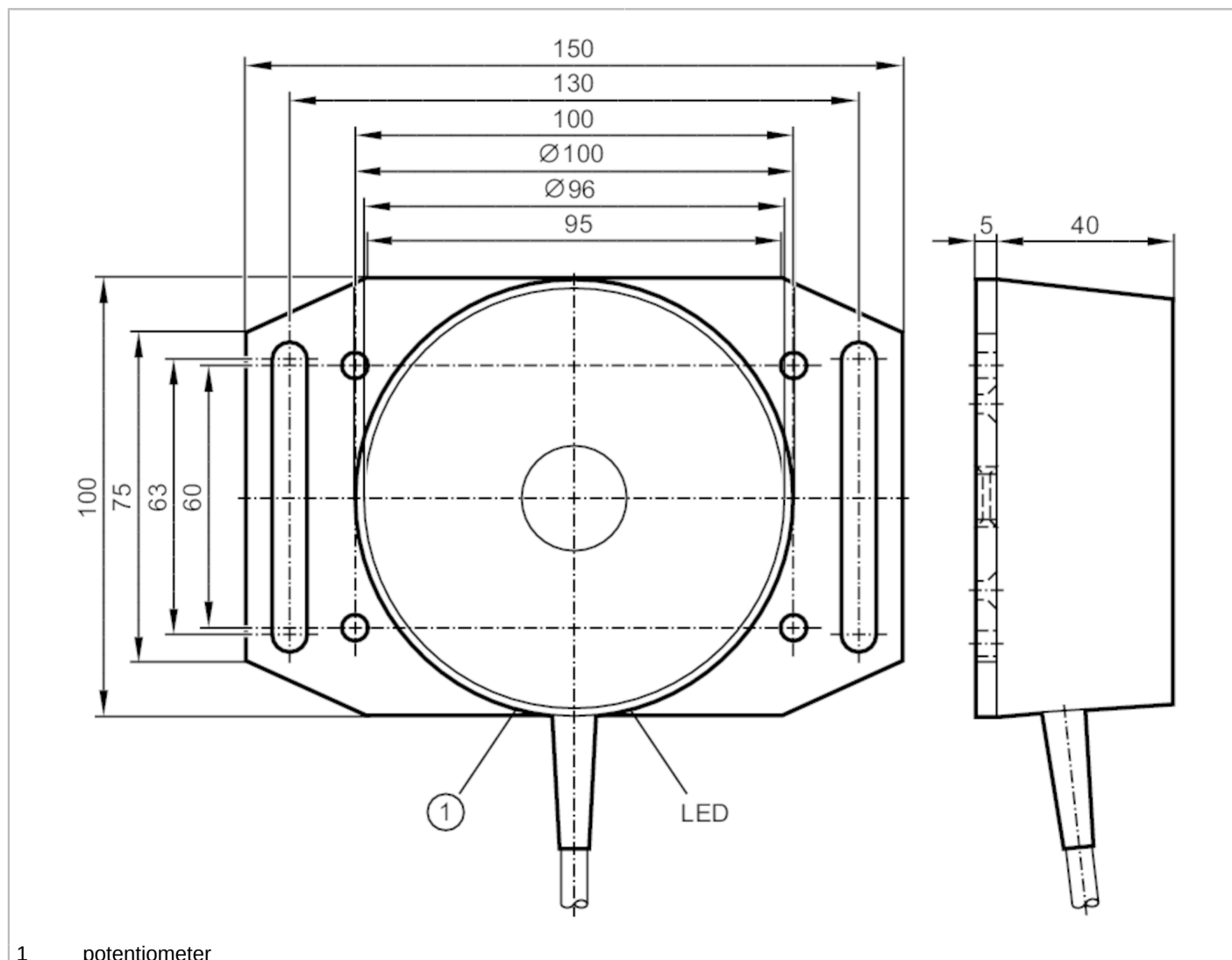


I17003



Inductive area sensor

SIT-3070-BPKG/A-PLATE



1 potentiometer



Product characteristics

Electrical design		PNP
Output function		normally open
Sensing range	[mm]	20...70
Housing		tubular
Dimensions	[mm]	Ø 100 / L = 45

Electrical data

Operating voltage	[V]	10...36 DC
Current consumption	[mA]	15; (24 V)
Protection class		II
Reverse polarity protection		yes

Outputs

Electrical design		PNP
Output function		normally open

I17003



Inductive area sensor

SIT-3070-BPKG/A-PLATE

Max. voltage drop switching output DC [V]	2.5
Permanent current rating of switching output DC [mA]	250
Switching frequency DC [Hz]	5
Short-circuit protection	yes
Type of short-circuit protection	yes (non-latching)
Overload protection	yes

Monitoring range

Sensing range [mm]	20...70
Sensing range adjustable	yes
Factory setting sensing range [mm]	70
Real sensing range Sr [mm]	70 ± 10 %

Accuracy / deviations

Correction factor	steel: 1 / stainless steel: 0.7 / brass: 0.4 / aluminum: 0.4 / copper: 0.3
Hysteresis [% of Sr]	< 15
Switch-point drift [% of Sr]	-15...15

Operating conditions

Ambient temperature [°C]	-20...70
Protection	IP 65

Tests / approvals

EMC	EN 60947-5-2	
	EN 55011	class B

Mechanical data

Weight [g]	689.5
Housing	tubular
Mounting	non-flush mountable
Type of mounting	with mounting plate
Dimensions [mm]	Ø 100 / L = 45
Material	PBT; Mounting plate: aluminum anodized

Displays / operating elements

Display	Switching status	1 x LED, yellow
---------	------------------	-----------------

Remarks

Pack quantity	1 pcs.
---------------	--------

I17003



Inductive area sensor

SIT-3070-BPKG/A-PLATE

Electrical connection

Cable: 2 m, PVC; 3 x 0.5 mm²

Connection



Core colors :
BK = black
BN = brown
BU = blue