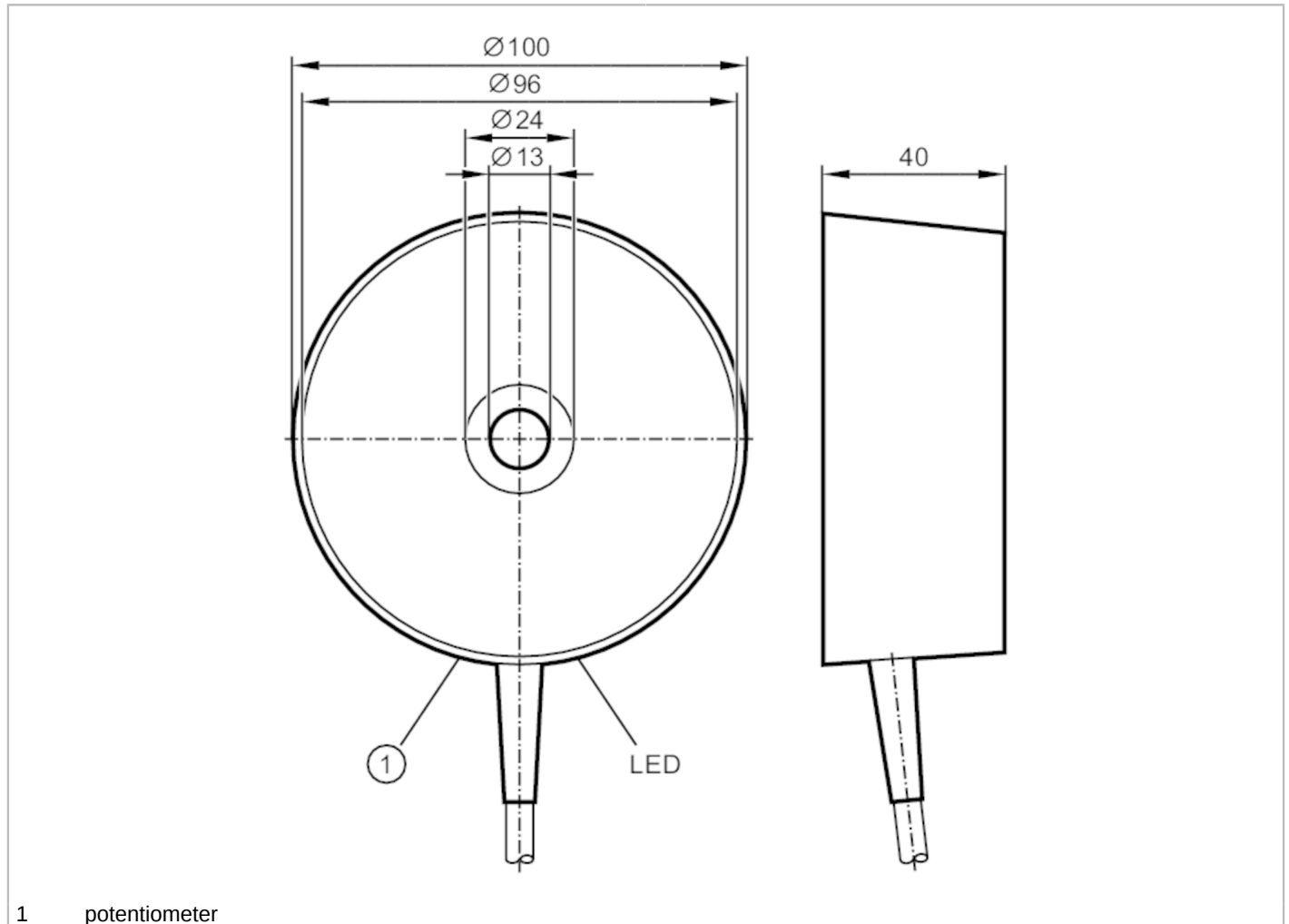


# I15005



## Inductive area sensor

SIT-4070-CPKG/2M



1 potentiometer



### Product characteristics

Electrical design		PNP
Output function		complementary
Sensing range	[mm]	20...70
Housing		tubular
Dimensions	[mm]	Ø 100 / L = 40

### Electrical data

Operating voltage	[V]	10...36 DC
Current consumption	[mA]	20; (24 V)
Protection class		II
Reverse polarity protection		yes

### Outputs

Electrical design		PNP
Output function		complementary
Max. voltage drop switching output DC	[V]	3.5

# I15005



## Inductive area sensor

SIT-4070-CPKG/2M

Permanent current rating of switching output DC [mA]	250
Switching frequency DC [Hz]	5
Short-circuit protection	yes
Type of short-circuit protection	yes (non-latching)
Overload protection	yes

### Monitoring range

Sensing range [mm]	20...70
Sensing range adjustable	yes
Factory setting sensing range [mm]	70
Real sensing range Sr [mm]	70 ± 10 %

### Accuracy / deviations

Correction factor	steel: 1 / stainless steel: 0.7 / brass: 0.4 / aluminum: 0.4 / copper: 0.3
Hysteresis [% of Sr]	< 15
Switch-point drift [% of Sr]	-15...15

### Operating conditions

Ambient temperature [°C]	-20...70
Protection	IP 65

### Tests / approvals

EMC	EN 60947-5-2	
	EN 55011	class B

### Mechanical data

Weight [g]	508.5
Housing	tubular
Mounting	non-flush mountable
Dimensions [mm]	Ø 100 / L = 40
Material	PBT

### Displays / operating elements

Display	Switching status	1 x LED, yellow
---------	------------------	-----------------

### Accessories

Items supplied	screws: 1 x M10 x 50
	covers: 1

### Remarks

Pack quantity	1 pcs.
---------------	--------

# I15005



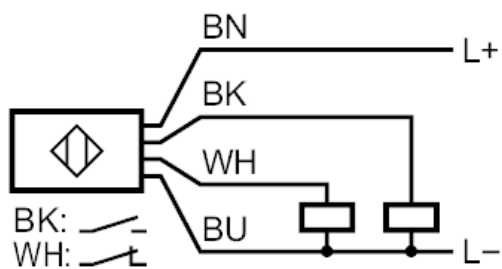
## Inductive area sensor

SIT-4070-CPKG/2M

### Electrical connection

Cable: 2 m, PVC; 4 x 0.34 mm<sup>2</sup>

### Connection



Core colors :  
BK = black  
BN = brown  
BU = blue  
WH = white