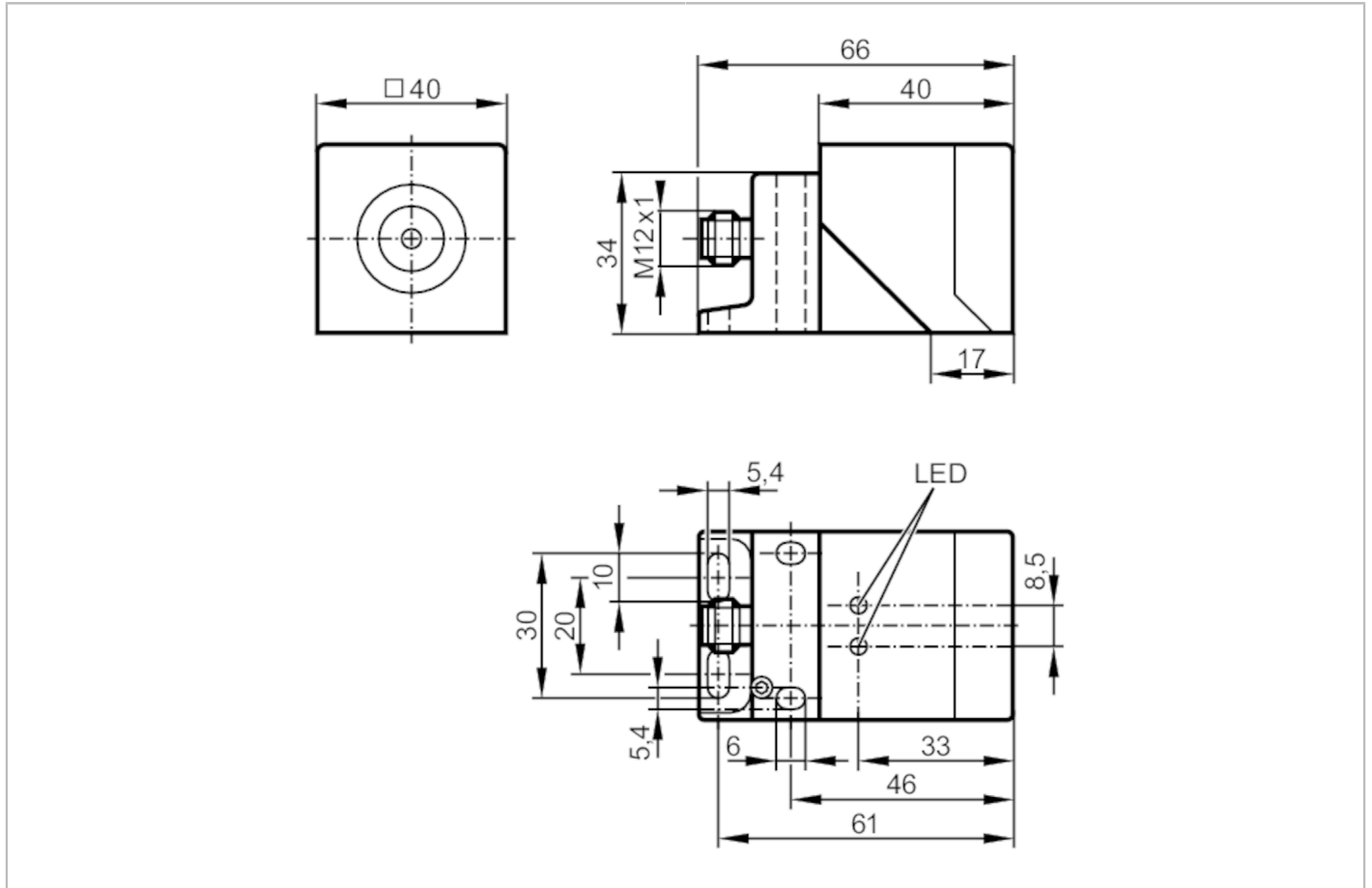


GM705S



Fail-safe inductive sensor

GIMC-4045-US/2OSSD



Product characteristics	
Electrical design	PNP
Output function	2 x OSSD (A1 and A2)
Enable zone [mm]	4...20
Housing	rectangular
Dimensions [mm]	40 x 40 x 66
Application	
System	gold-plated contacts
Type of operation	continuous operation (maintenance-free)
Safety-related function	safe state when undamped
Application	Industrial applications
Electrical data	
Operating voltage [V]	19.2...30 DC
Rated insulation voltage [V]	30
Current consumption [mA]	< 30
Protection class	III
Reverse polarity protection	yes
Max. power-on delay time [ms]	5000

GM705S



Fail-safe inductive sensor

GIMC-4045-US/2OSSD

Outputs		
Electrical design		PNP
Output function		2 x OSSD (A1 and A2)
Max. voltage drop switching output DC [V]		2.5; (100 mA)
Output data		Interface type C class 0
Output voltage at 24 V		compatible with EN 61131-2 inputs type 1, 2, 3
Short-circuit protection		yes
Max. capacitive load CL_max [nF]		20
Monitoring range		
Enable zone [mm]		4...20
Safe switching-off distance s(ar) [mm]		45
Reaction times		
Response time to safety request [ms]		50
Response time when approaching the enable zone [ms]		200
Risk time (response time for safety-related faults) [ms]		100
Operating conditions		
Applications		Class C to EN 60654-1 weatherproof application
Ambient temperature [°C]		-25...60
Note on ambient temperature		operational life ≤ 87600 h
Ambient temperature [°C]		10...40
Note on ambient temperature		operational life ≤ 175200 h
Rate of temperature change [K/min]		0.5
Max. relative air humidity [%]		briefly: 5...95 %; permanent: 5...70 %
Air pressure [kPa]		80...106
Max. height above sea level [m]		2000
Ionizing radiation		not permissible
Salt spray		no
Protection		IP 65; IP 67
Tests / approvals		
EMC	IEC 60947-5-2	
	IEC 60947-5-3	
	EN 60947-5-3	
	EN 61000-4-2 ESD	6 kV CD / 8 kV AD
	EN 61000-4-3 HF radiated	20 V/m
	EN 61000-4-4 Burst	2 kV
	EN 61000-4-6 HF conducted	10 V
	EN 61000-4-8	30 A/m
	EN 55011	class B
	Shock resistance	IEC 60947-5-2
Vibration resistance	IEC 60947-5-2	

GM705S



Fail-safe inductive sensor

GIMC-4045-US/2OSSD

Safety classification	
Complies with the requirements	ISO 13849-1: 2015 Category 3, PL e IEC 61508 SIL 3 IEC 62061 SIL 3
Mission time TM [h]	≤ 175200
Mission time TM (additional indication)	20 years
PFH [1/h]	1E-08

Mechanical data	
Weight [g]	355
Housing	rectangular
Mounting	non-flush mountable
Dimensions [mm]	40 x 40 x 66
Material	PPE; diecast zinc

Displays / operating elements		
Display	Power	1 x LED, green
	signal	1 x LED, yellow

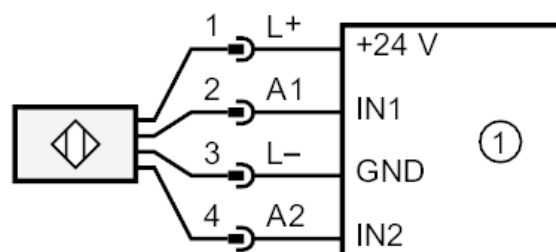
Remarks	
Remarks	Unless stated otherwise, all data refer to the reference target plate to IEC 60947-5-2 over the whole temperature range. (FE360 = ST37K) 60x60x1 mm
Pack quantity	1 pcs.

Electrical connection - plug

Connector: 1 x M12; coding: A; Contacts: gold-plated



Connection



1: Safety-related logic unit