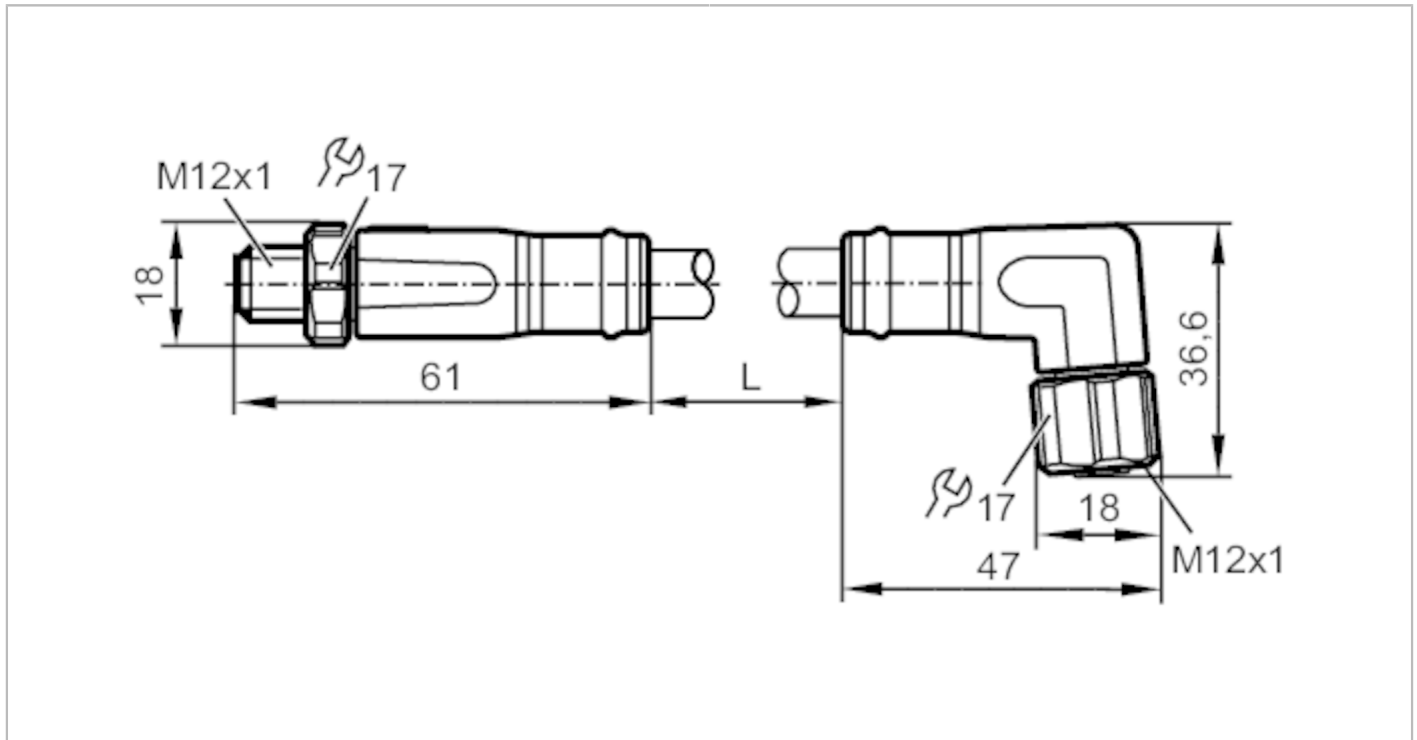


EVF634



Connection cable

VDOAE050VAS0020P05STGE050VAS



Application	
System	Free from silicone; Halogen-free; gold-plated contacts; Drag chain suitability
Design	Power cable, L-coded
Application	Washdown applications
Free from silicone	yes
Electrical data	
Operating voltage [V]	63 DC
Protection class	III
Max. current load total [A]	16
Operating conditions	
Ambient temperature [°C]	-25...100
Note on ambient temperature	cULus: ...65 °C
Storage temperature [°C]	-25...55
Storage humidity [%]	10...100
Other climatic conditions for storage according to stated class	1K22/ DIN 60721-3-1
Protection	IP 65; IP 67; IP 69K
Mechanical data	
Weight [g]	3749.35
Molded-body material	PP
Material nut	stainless steel (1.4404 / 316L)
Sealing material	EPDM
Drag chain suitability	yes

EVF634



Connection cable

VDOAE050VAS0020P05STGE050VAS

Drag chain suitability	Bending radius for flexible applications	min. 10 x cable diameter
	Travel speed	max. 3.3 m/s for a horizontal travel length of 5 m and max. acceleration of 5 m/s ²
	Bending cycles	> 1 Mio.
	Torsional strain	± 180 °/m

Remarks

Pack quantity	1 pcs.
---------------	--------

Electrical connection

Cable: 20 m, MPPE, Halogen-free, grey, Ø 10.1 mm; 5 x 2.5 mm² (141 x Ø 0.15 mm)

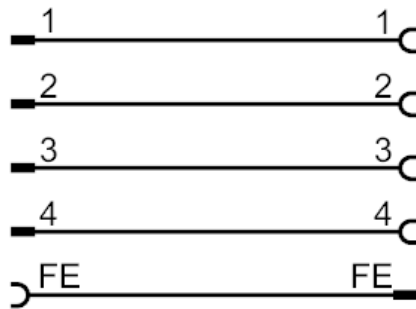
Electrical connection - plug

Connector: 1 x M12, straight; coding: L; Moulded body: PP, grey; Locking: stainless steel (1.4404 / 316L); Contacts: gold-plated; Tightening torque: 0.6...1.2 Nm



Electrical connection - 2

Connection



Electrical connection - Socket

Connector: 1 x M12, angled; coding: L; Moulded body: PP, grey; Locking: stainless steel (1.4404 / 316L); sealing: EPDM; Contacts: gold-plated; Tightening torque: 0.6...1.2 Nm

