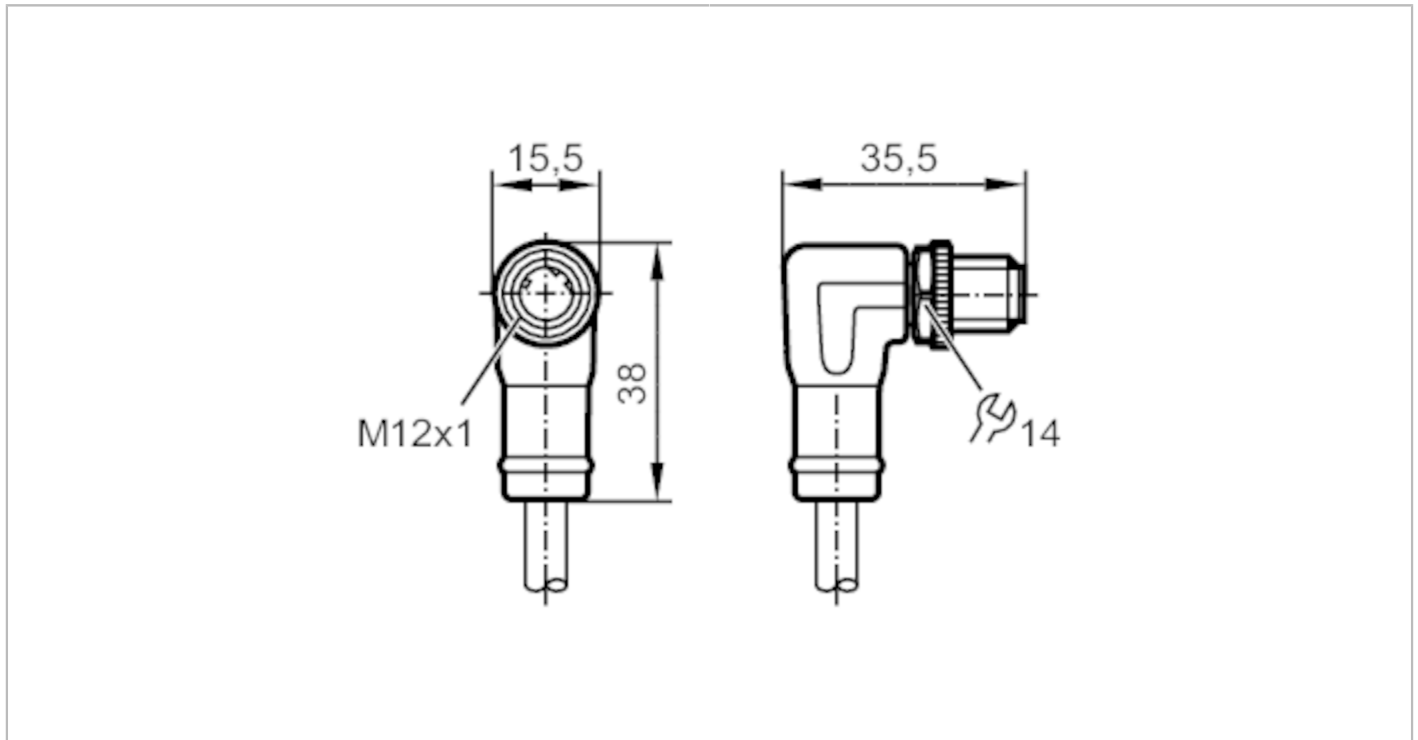


EVC902



Male cordsets

ASTAN040MSS0050K04



Application		
System	Free from silicone; Halogen-free; gold-plated contacts; screened cable; Drag chain suitability	
Design	Ethernet cable, D-coded	
Application	Industrial Ethernet; CAT5/CAT5e; 100 Mbit/s; Industrial applications	
Free from silicone	yes	
Electrical data		
Operating voltage [V]	30 AC / 60 DC	
Protection class	III	
Max. current load total [A]	4	
Operating conditions		
Ambient temperature [°C]	-25...90	
Ambient temperature (moving) [°C]	-25...90	
Protection	IP 65; IP 67	
Mechanical data		
Weight [g]	2508.9	
Molded-body material	TPU (urethane)	
Material nut	brass, nickel-plated	
Drag chain suitability	yes	
Drag chain suitability	Bending radius for flexible applications	min. 10 x cable diameter
	Travel speed	max. 3.3 m/s for a horizontal travel length of 5 m and max. acceleration of 5 m/s ²
	Bending cycles	> 3 Mio.
	Torsional strain	± 180 °/m

EVC902



Male cordsets

ASTAN040MSS0050K04

Remarks

Pack quantity

1 pcs.

Electrical connection - plug

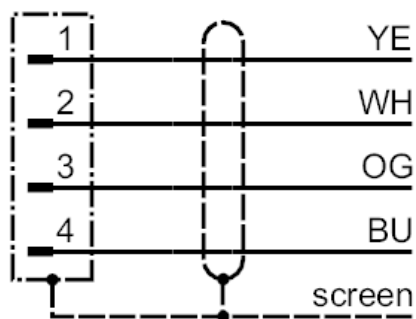
Connector: 1 x M12, angled; coding: D; Moulded body: TPU (urethane), black; Locking: brass, nickel-plated; Contacts: gold-plated; Tightening torque: 0.6...1.2 Nm; Shielded connection cable: shield connected



Electrical connection

Cable: 50 m, PUR, Halogen-free, green, Ø 6.5 mm, screened; PROFINET Type C; 4 x 0.34 mm² (7 x Ø 0.25 mm)

Connection



Core colors :
BU = blue
OG = orange
WH = white
YE = yellow