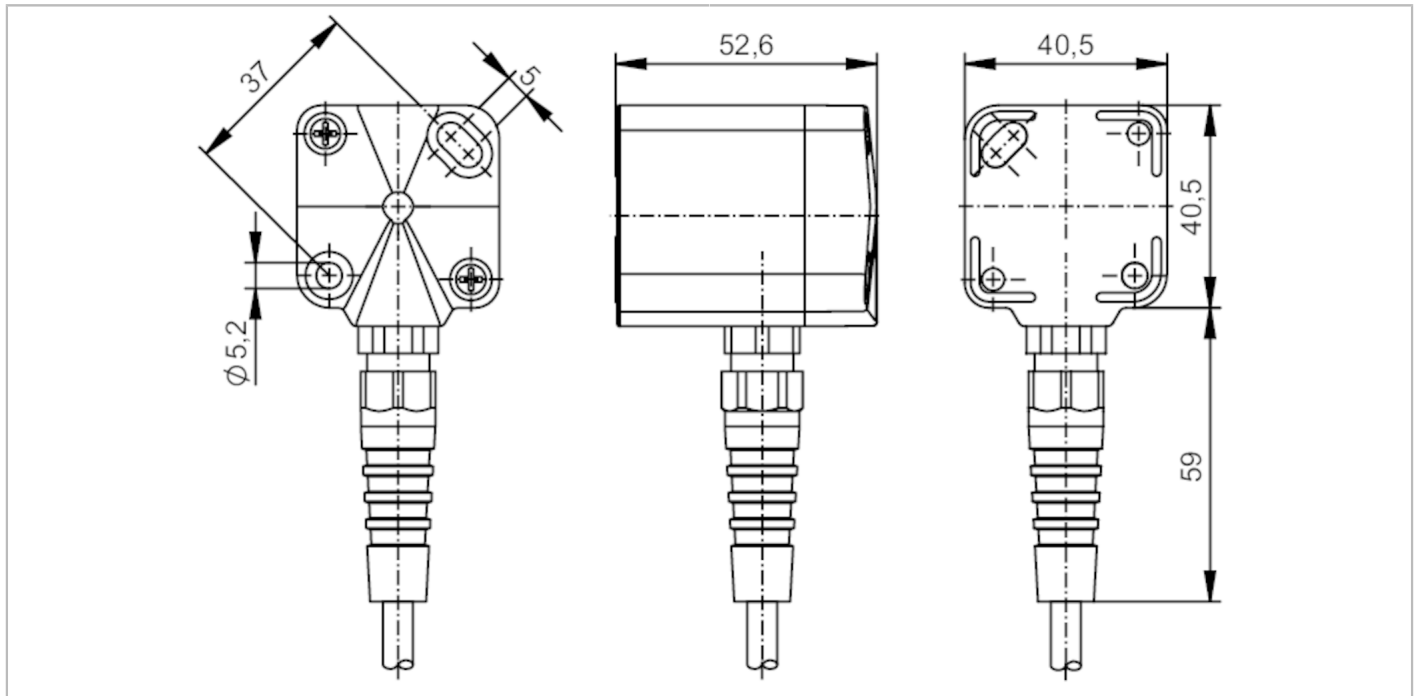


EC2082



Inclination sensor

R360/INCLINOMETER/4-20mA/II



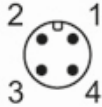
Product characteristics	
Number of measurement axes	1
Angular range [°]	± 90
Application	
Function principle	static
Electrical data	
Operating voltage [V]	20...30 DC
Current consumption [mA]	< 35
Protection class	III
Reverse polarity protection	yes
Reverse polarity protection	yes
Inputs / outputs	
Number of inputs and outputs	Number of analog outputs: 1
Outputs	
Output signal	analog signal
Number of analog outputs	1
Analog current output [mA]	4...20
Max. load [Ω]	400
Overload protection	yes
Measuring/setting range	
Number of measurement axes	1
Angular range [°]	± 90

EC2082



Inclination sensor

R360/INCLINOMETER/4-20mA/II

Accuracy / deviations		
Accuracy	[°]	$<\pm 7$; (the zero point error can be compensated for by adjusting the unit by $\pm 4^\circ$)
Repeatability	[°]	0,1
Operating conditions		
Ambient temperature	[°C]	-30...85
Storage temperature	[°C]	-30...85
Storage humidity	[%]	90; (non condensing)
Protection		IP 67
Tests / approvals		
MTTF	[years]	991
Mechanical data		
Weight	[g]	191.8
Dimensions	[mm]	40.5 x 40.5 x 52.2
Material		housing: PPO
Tightening torque	[Nm]	1.8
Mounting orientation		vertical
Remarks		
Pack quantity		1 pcs.
Electrical connection		
Cable: 0.2 m		
Connector: 1 x M12; coding: A		
		
1	L+	
2	not used	
3	L-	
4	analog output	

EC2082

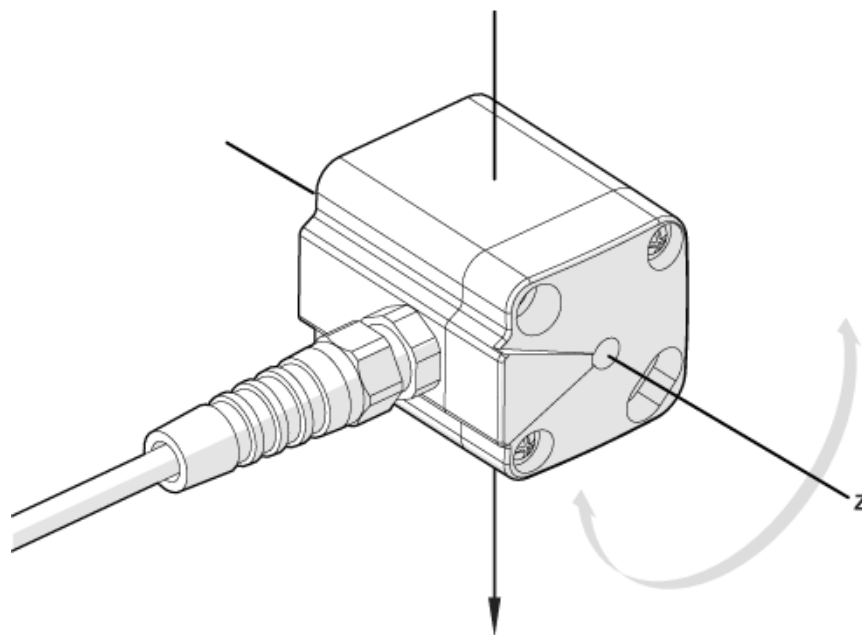


Inclination sensor

R360/INCLINOMETER/4-20mA/II

Diagrams and graphs

Mess- und Montagerichtung



vertikale Einbaulage / Rotation um Z-Achse