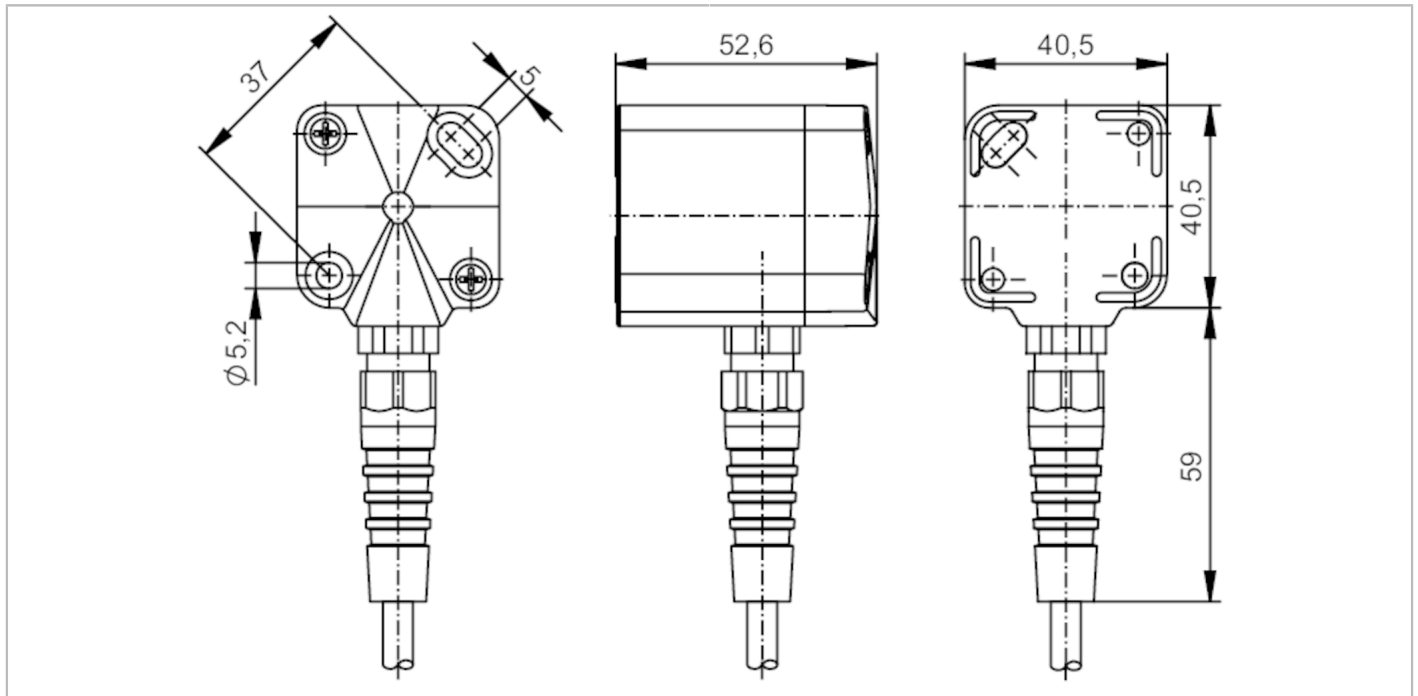




Inclination sensor

R360/INCLINOMETER/0-10V



Product characteristics	
Number of measurement axes	1
Angular range [°]	± 90
Application	
Function principle	static
Electrical data	
Operating voltage [V]	15...30 DC
Current consumption [mA]	< 35
Protection class	III
Reverse polarity protection	yes
Reverse polarity protection	yes
Inputs / outputs	
Number of inputs and outputs	Number of analog outputs: 1
Outputs	
Output signal	analog signal
Number of analog outputs	1
Analog voltage output [V]	0...10
Min. load resistance [Ω]	50000
Overload protection	yes
Measuring/setting range	
Number of measurement axes	1
Angular range [°]	± 90



Inclination sensor

R360/INCLINOMETER/0-10V

Accuracy / deviations

Accuracy	[°]	± 7; (the zero point error can be compensated for by adjusting the unit by $\pm 4^\circ$)
Repeatability	[°]	0,1

Operating conditions

Ambient temperature	[°C]	-30...85
Storage temperature	[°C]	-30...85
Protection		IP 67

Tests / approvals

MTTF	[years]	884
------	---------	-----

Mechanical data

Weight	[g]	281.5
Dimensions	[mm]	40.5 x 40.5 x 52.2
Material		housing: PPO
Tightening torque	[Nm]	1.8
Mounting orientation		vertical

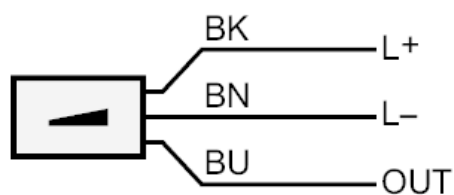
Remarks

Pack quantity		1 pcs.
---------------	--	--------

Electrical connection

Cable: 3.5 m, PUR

Connection



EC2019

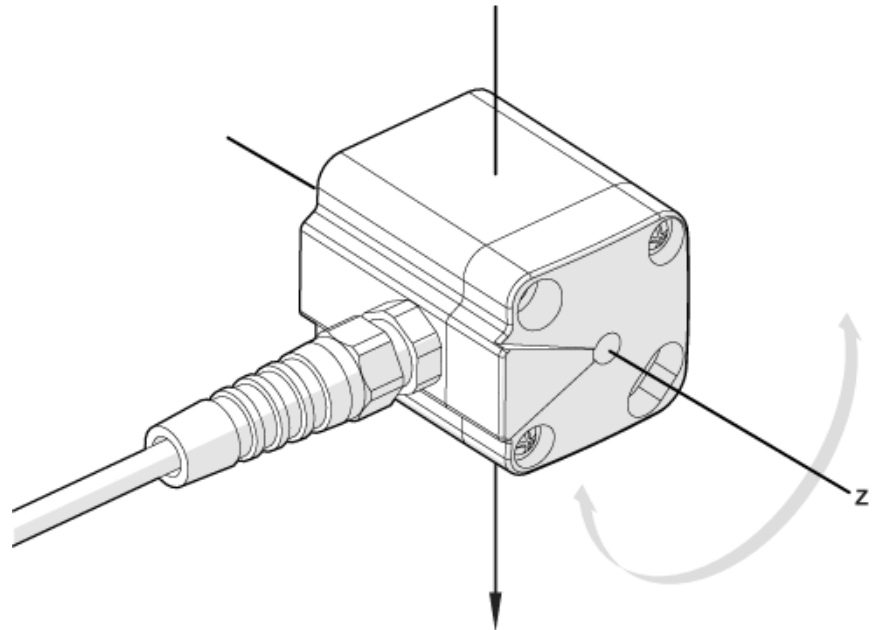


Inclination sensor

R360/INCLINOMETER/0-10V

Diagrams and graphs

Mess- und Montagerichtung



vertikale Einbaulage / Rotation um Z-Achse