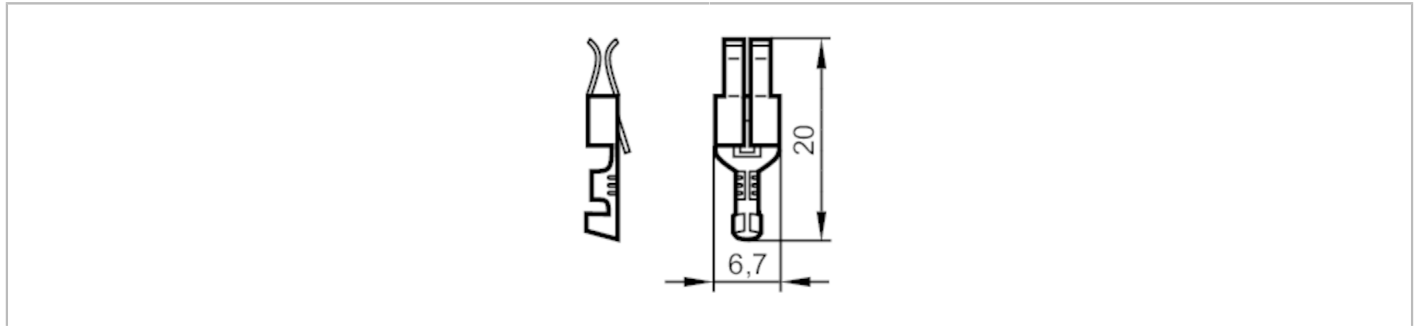


# EC0468



## Standard timer contact

BasicContact/STD 0.5



Application	
Design	for standard timer contact housings
Mechanical data	
Weight [g]	499
Material	tin-plated
Remarks	
Pack quantity	1000 pcs.
Electrical connection	
Standard timer contact: 0.5...1.0 mm <sup>2</sup> ; (Ø 1.4...2.3 mm)	