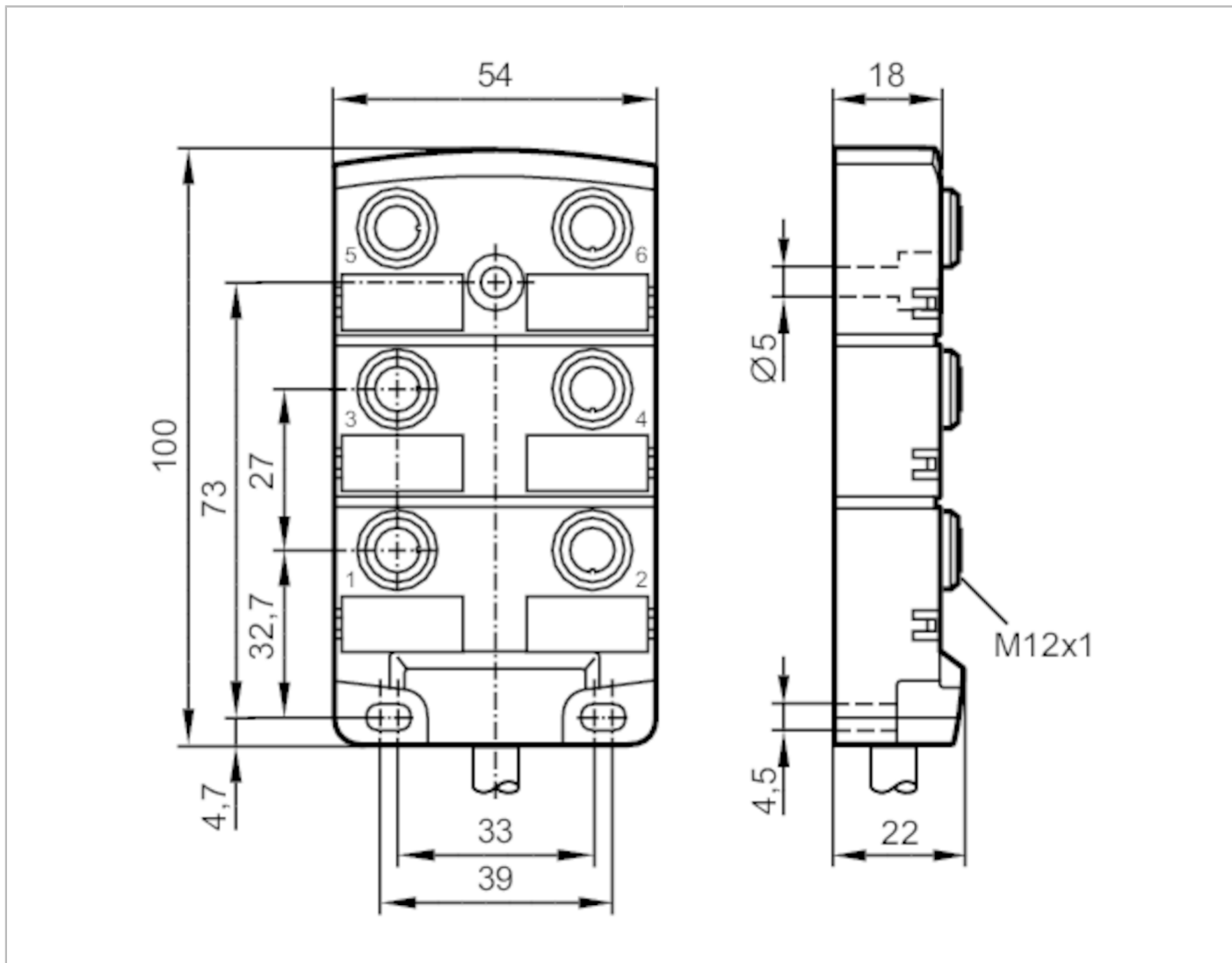


EBC040



Wiring block

ZDO6H050MSS0010H11STAK190MSS



Application	
System	Free from silicone; Halogen-free; gold-plated contacts; Drag chain suitability
Free from silicone	yes
Electrical data	
Operating voltage [V]	< 30 AC/DC; (cULus - Class 2 source required)
Protection class	II
Max. current load per module/slot [A]	4
Max. current load total [A]	12
Operating conditions	
Ambient temperature [°C]	-25...80
Ambient temperature (moving) [°C]	-5...60
Protection	IP 67; IP 68
Tests / approvals	
UL approval	Enclosure type Type 1

EBC040



Wiring block

ZDO6H050MSS0010H11STAK190MSS

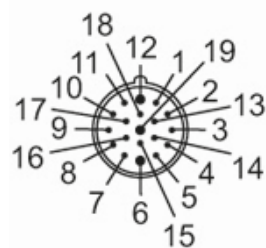
Mechanical data		
Weight	[g]	1470.5
Dimensions	[mm]	22 x 54 x 100
Material		PA
Molded-body material		PA
Number of ports splitter box		6
Connector type		M12
Drag chain suitability		yes
Drag chain suitability	Bending radius for flexible applications	min. 10 x cable diameter
	Bending cycles	> 2 Mio.

Accessories	
Items supplied	Protective caps: 2 labels: 6

Remarks	
Pack quantity	1 pcs.

Electrical connection - plug

Connector: 1 x M23, angled; Moulded body: PA; Contacts: gold-plated; Tightening torque: 0.8...1.5 Nm



EBC040



Wiring block

ZDO6H050MSS0010H11STAK190MSS

Electrical connection

Cable: 10 m, PUR, Halogen-free, black, Ø 8.8 mm; 12 x 0.34 mm² (63 x Ø 0.1 mm) + 3 x 1.0 mm² (127 x Ø 0.1 mm)

Connection

+	19	1 (1...6)	C
-	6	3 (1...6)	C
⊕	12	5 (1...6)	C
	15	4 (1)	C
	7	2 (1)	C
	5	4 (2)	C
	4	2 (2)	C
	16	4 (3)	C
	8	2 (3)	C
	3	4 (4)	C
	14	2 (4)	C
	17	4 (5)	C
	9	2 (5)	C
	2	4 (6)	C
	13	2 (6)	C

Electrical connection - slot

Connector: 6 x M12; coding: A; Moulded body: PA; Contacts: gold-plated; Tightening torque: 0.8...1.5 Nm

