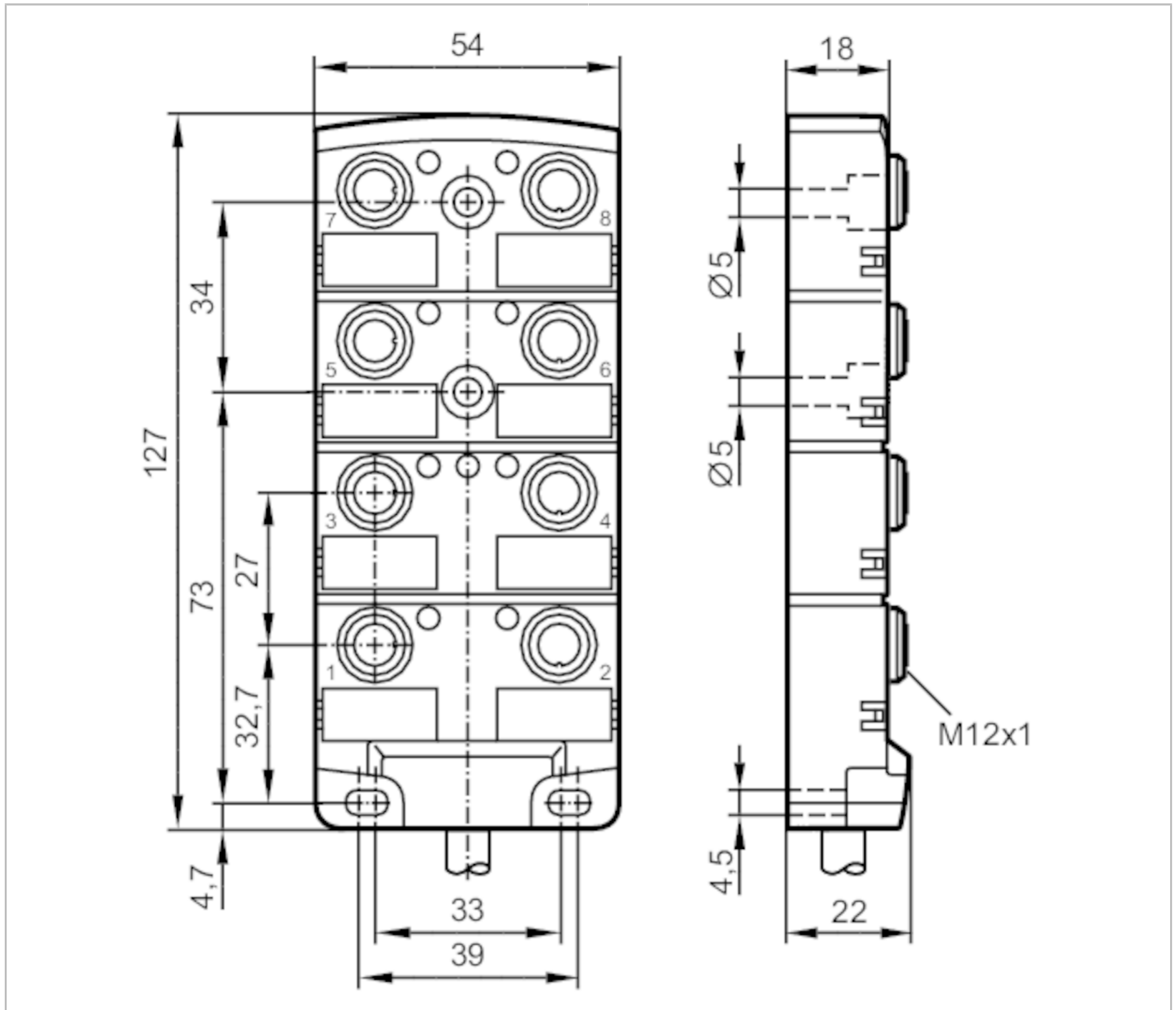


EBC039



Wiring block

ZDO8H059MSS0025H11



Application	
System	Free from silicone; Halogen-free; gold-plated contacts; Drag chain suitability
Free from silicone	yes
Electrical data	
Operating voltage [V]	10...30 DC; (cULus - Class 2 source required)
Protection class	II
Max. current load per module/slot [A]	4
Max. current load total [A]	12
Outputs	
Electrical design	PNP

EBC039



Wiring block

ZDO8H059MSS0025H11

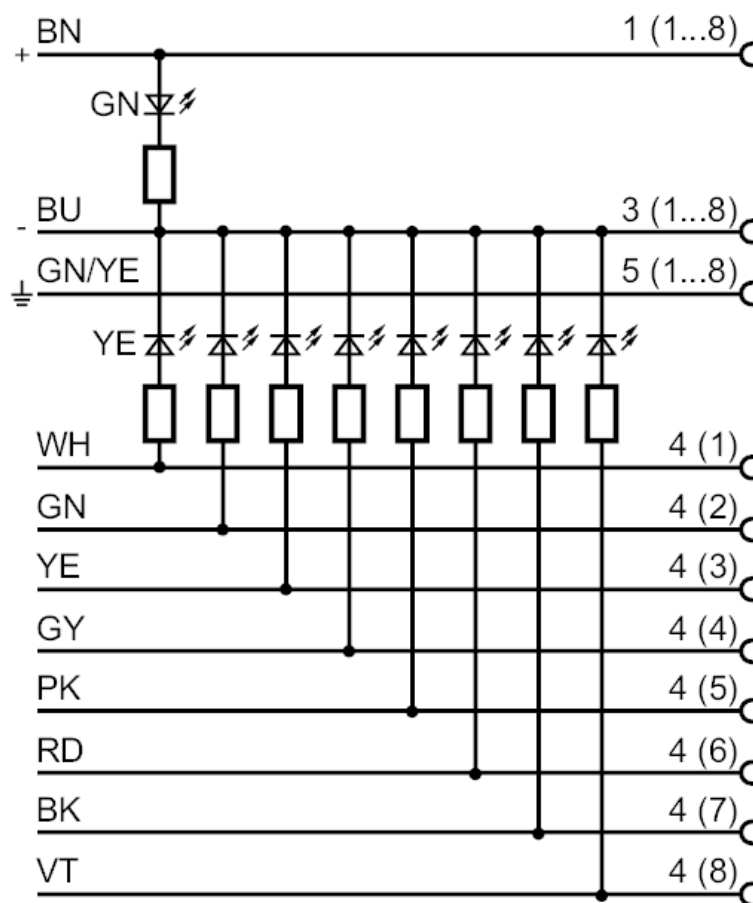
Operating conditions		
Ambient temperature	[°C]	-25...80
Ambient temperature (moving)	[°C]	-5...60
Protection		IP 67; IP 68
Mechanical data		
Weight	[g]	2631.5
Dimensions	[mm]	22 x 54 x 127
Material		PA
Molded-body material		PA
Number of ports splitter box		8
Connector type		M12
Drag chain suitability		yes
Drag chain suitability	Bending radius for flexible applications	min. 10 x cable diameter
	Bending radius for fixed installation	min. 5 x cable diameter
	Travel speed	max. 3 m/s at 5 m horizontal travel length and max. acceleration of 5 m/s ²
	Torsional strain	± 30 °/m
	Bending cycles	> 2 Mio.
Displays / operating elements		
Display	Switching status	8 x LED, yellow
	Power	1 x LED, green
Accessories		
Items supplied	Protective caps:	2
	labels:	8
Remarks		
Pack quantity		1 pcs.
Electrical connection		
Cable: 25 m, PUR, Halogen-free, black, Ø 8.2 mm; 8 x 0.34 mm ² (43 x Ø 0.1 mm) + 3 x 0.75 mm ² (95 x Ø 0.1 mm)		
Electrical connection - slot		
Connector: 8 x M12; coding: A; Moulded body: PA; Contacts: gold-plated; Tightening torque: 0.8...1.5 Nm		



Wiring block

ZDO8H059MSS0025H11

Connection



	Core colors :
BK =	black
BN =	brown
BU =	blue
GN =	green
GN/YE =	green/yellow
GY =	grey
PK =	pink
RD =	red
VT =	lilac
WH =	white
YE =	yellow