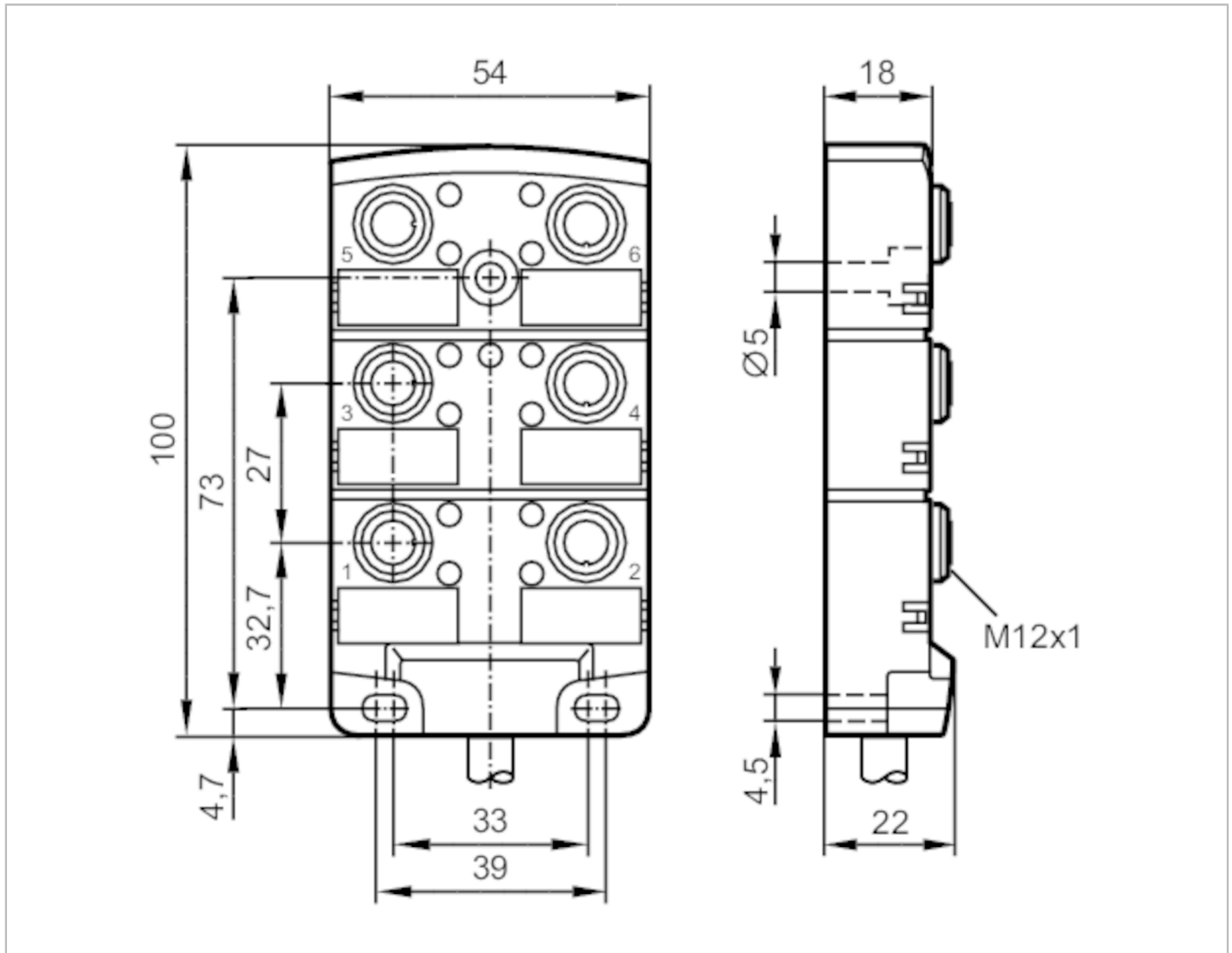


EBC032



Wiring block

ZDO6H05DMSS0010H15



Application		
System		Free from silicone; Halogen-free; gold-plated contacts; Drag chain suitability
Free from silicone		yes
Electrical data		
Operating voltage	[V]	10...30 DC; (cULus - Class 2 source required)
Protection class		II
Max. current load per module/slot	[A]	4
Max. current load total	[A]	12
Outputs		
Electrical design		PNP
Operating conditions		
Ambient temperature	[°C]	-25...80
Ambient temperature (moving)	[°C]	-5...60

EBC032



Wiring block

ZDO6H05DMSS0010H15

Protection	IP 67; IP 68
------------	--------------

Mechanical data

Weight [g]	1340	
Dimensions [mm]	22 x 54 x 100	
Material	PA	
Molded-body material	PA	
Number of ports splitter box	6	
Connector type	M12	
Drag chain suitability	yes	
Drag chain suitability	Bending radius for flexible applications	min. 10 x cable diameter
	Bending cycles	> 2 Mio.

Displays / operating elements

Display	Switching status	12 x LED, yellow
	Power	1 x LED, green

Accessories

Items supplied	Protective caps: 2 labels: 6
----------------	---------------------------------

Remarks

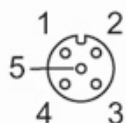
Pack quantity	1 pcs.
---------------	--------

Electrical connection

Cable: 10 m, PUR, Halogen-free, black, Ø 8.8 mm; 12 x 0.34 mm² (63 x Ø 0.1 mm) + 3 x 1.0 mm² (127 x Ø 0.1 mm)

Electrical connection - slot

Connector: 6 x M12; coding: A; Moulded body: PA; Contacts: gold-plated; Tightening torque: 0.8...1.5 Nm



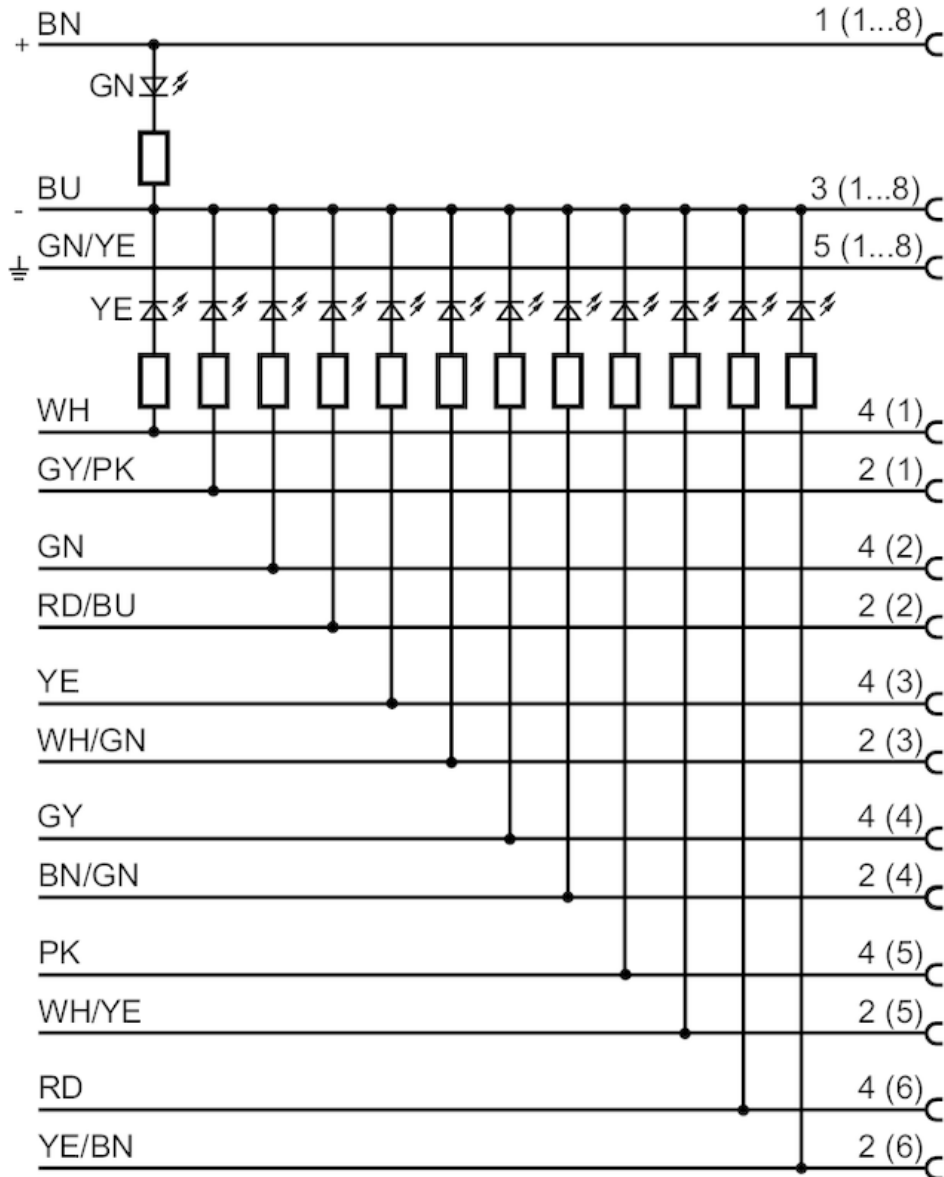
EBC032



Wiring block

ZDO6H05DMSS0010H15

Connection



	Core colors :
BN =	brown
BU =	blue
GN =	green
GY =	grey
PK =	pink
RD =	red
WH =	white
YE =	yellow