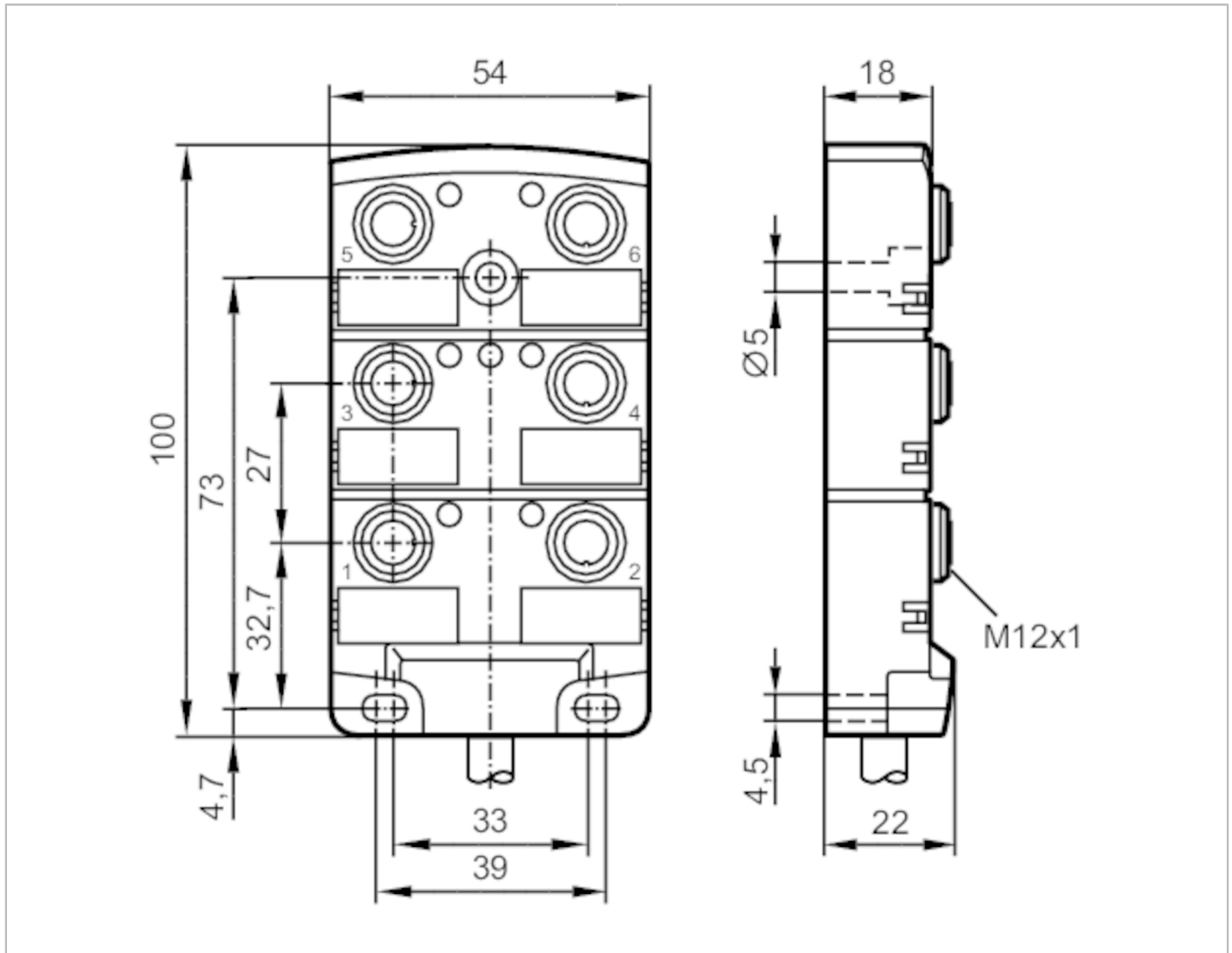


EBC019



Wiring block

ZDO6H057MSS0005H09



Application	
System	Free from silicone; Halogen-free; gold-plated contacts; Drag chain suitability
Free from silicone	yes
Electrical data	
Operating voltage [V]	10...30 DC; (cULus - Class 2 source required)
Protection class	II
Max. current load per module/slot [A]	4
Max. current load total [A]	12
Outputs	
Electrical design	PNP
Operating conditions	
Ambient temperature [°C]	-25...80
Ambient temperature (moving) [°C]	-5...60

EBC019



Wiring block

ZDO6H057MSS0005H09

Protection	IP 67; IP 68
------------	--------------

Tests / approvals

UL approval	Enclosure type	Type 1
-------------	----------------	--------

Mechanical data

Weight	[g]	530.6
Dimensions	[mm]	22 x 54 x 100
Material		PA
Molded-body material		PA
Number of ports splitter box		6
Connector type		M12
Drag chain suitability		yes
Drag chain suitability	Bending radius for flexible applications	min. 10 x cable diameter
	Bending cycles	> 2 Mio.

Displays / operating elements

Display	Switching status	6 x LED, yellow
	Power	1 x LED, green

Accessories

Items supplied	Protective caps: 2
	labels: 6

Remarks

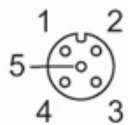
Pack quantity	1 pcs.
---------------	--------

Electrical connection

Cable: 5 m, PUR, Halogen-free, black, \varnothing 7.8 mm; 6 x 0.34 mm² (43 x \varnothing 0.1 mm) + 3 x 1 mm² (55 x \varnothing 0.15 mm)

Electrical connection - slot

Connector: 6 x M12; coding: A; Moulded body: PA; Contacts: gold-plated; Tightening torque: 0.8...1.5 Nm



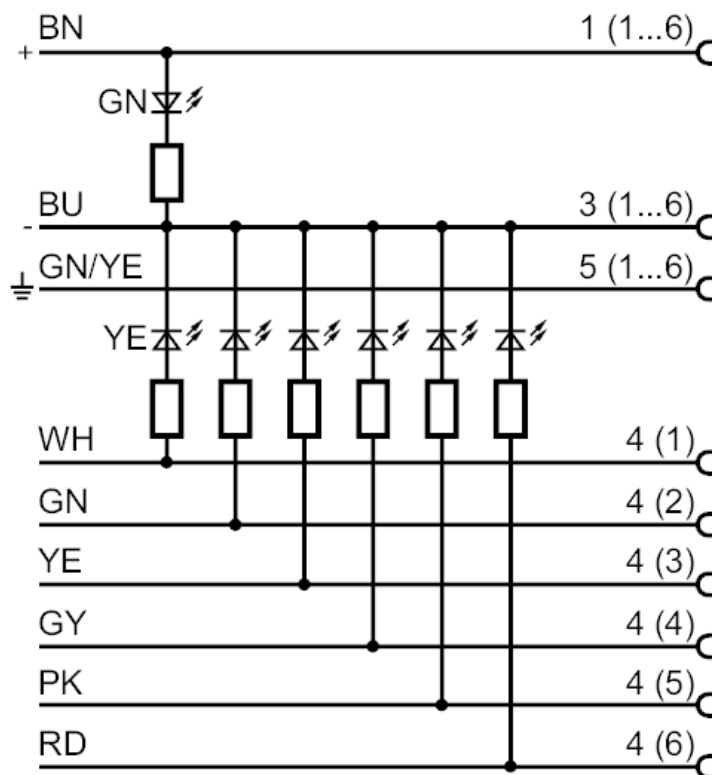
EBC019



Wiring block

ZDO6H057MSS0005H09

Connection



	Core colors :
BN =	brown
BU =	blue
GN =	green
GN/YE =	green/yellow
GY =	grey
PK =	pink
RD =	red
WH =	white
YE =	yellow