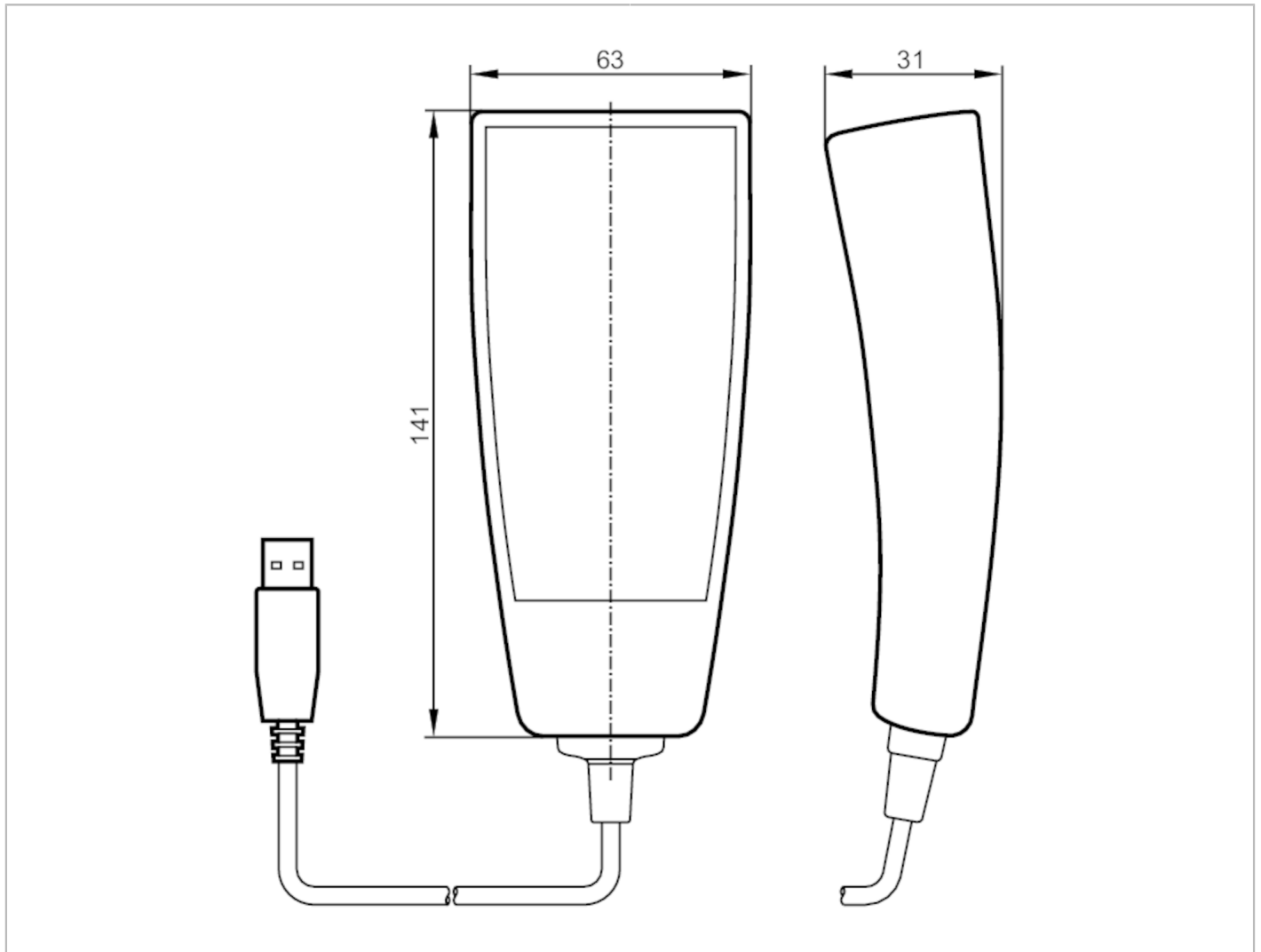


E80321



RFID handheld reader 125KHz - Q5

RFID HANDHELD READER WRITER USB



Application	
Application	for use in PCs or notebooks
Electrical data	
Nominal voltage DC [V]	5
Current consumption [mA]	< 60
Operating frequency [MHz]	0,125
Operating conditions	
Ambient temperature [°C]	-20...50
Protection	IP 65
Mechanical data	
Weight [g]	274.5
Material	PS (polystyrene)
Remarks	
Remarks	read/write distances depend on transponders used software supplied

E80321



RFID handheld reader 125KHz - Q5

RFID HANDHELD READER WRITER USB

Pack quantity

1 pcs.

Electrical connection

Cable: 1.8 m

5 V DC

Supply USB