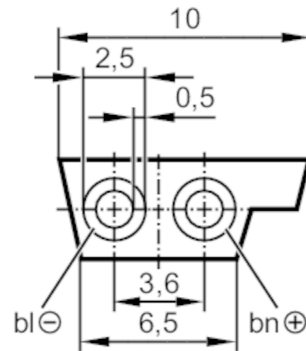


E74210



AS-Interface flat cable

Flat cable 100 meter TPE bk



Application

Design

for use of insulation displacement technology

Application

external 24 V power supply

Electrical data

Operating voltage

[V]

24 DC; (Peak voltage 300 V)

Operating conditions

Ambient temperature

[°C]

-40...105

Mechanical data

Weight

[g]

6752

Remarks

Remarks

100 m form supplied: coiled

Pack quantity

100 m

Electrical connection

Cable: 100 m, TPE, black; 2 x 1.5 mm²