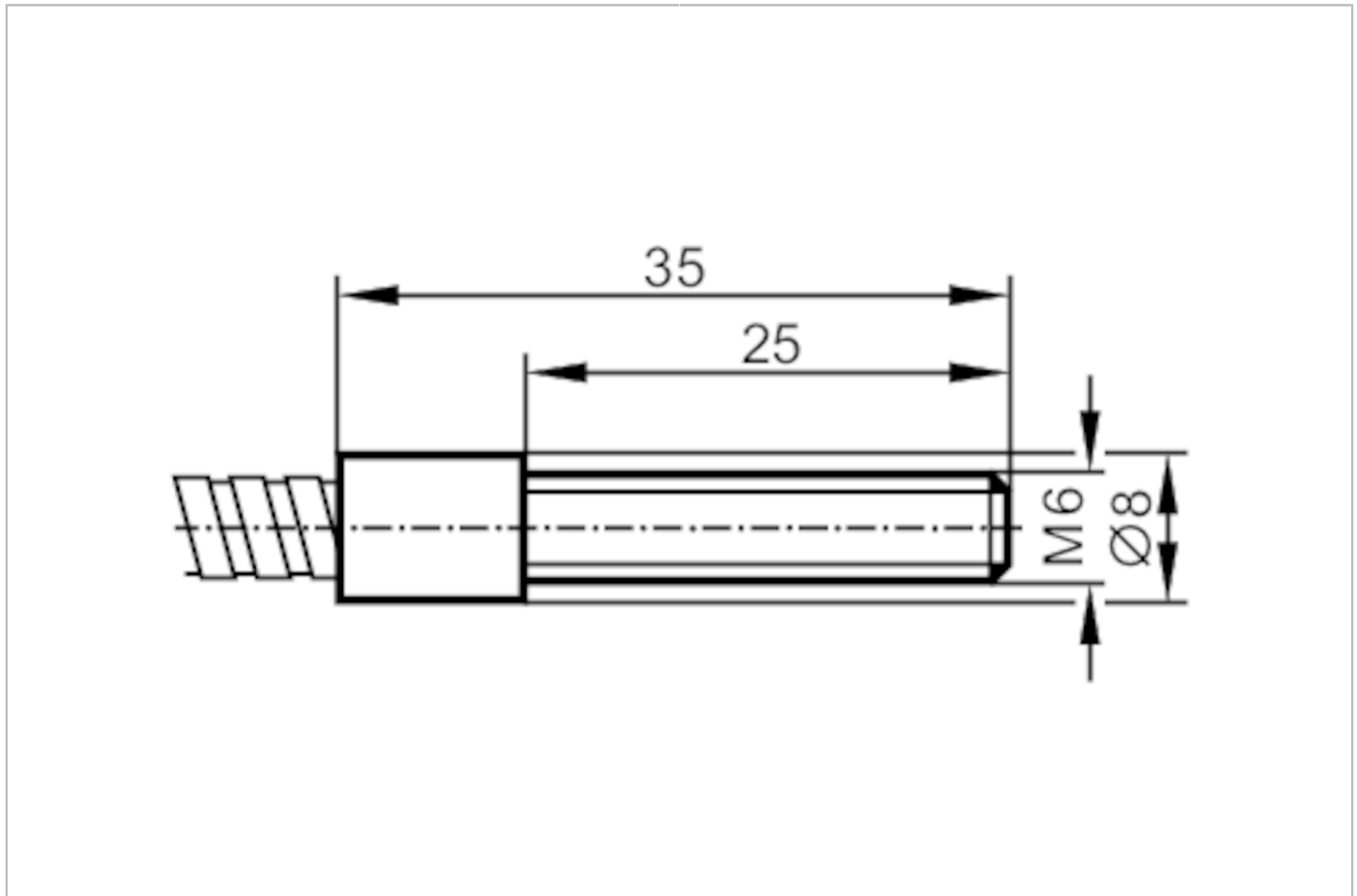




Fiber optic through beam sensor

FE-30-A-A-M6/3M



| Application                           |   |
|---------------------------------------|---|
| Function principle                    | Through-beam sensor   |
| Application                           | High temperature resistance; Robust design for use in harsh industrial environments |
| Monitoring range                      |   |
| Range with fiber optic amplifier type | OIF   |
| OIF                                   |   |
| Range of fiber optics [mm]            | 192   |
| Operating conditions                  |   |
| Ambient temperature [°C]              | -40...290   |
| Mechanical data                       |   |
| Weight [g]                            | 278.5   |
| Version of sensing head               | straight  |
| Sensing head thread                   | M6  |
| Total length [mm]                     | 3000  |
| Min. bending radius [mm]              | 30; (for fixed installation)  |
| Fiber arrangement                     | ●   |
| Material                              | Adapter: PA   |
| Fiber material                        | glass   |
| Fiber head material                   | aluminum  |

# E20229



## Fiber optic through beam sensor

FE-30-A-A-M6/3M

|                       |                                       |
|-----------------------|---------------------------------------|
| Fiber sheath material | aluminum                              |
| <b>Accessories</b>    |                                       |
| Items supplied        | Hexagon nuts: 4 x M6, stainless steel |
|                       | tooth lock washers: 4                 |
|                       | Knurled nut: 1 x M30                  |
| <b>Remarks</b>        |                                       |
| Pack quantity         | 1 pcs.                                |