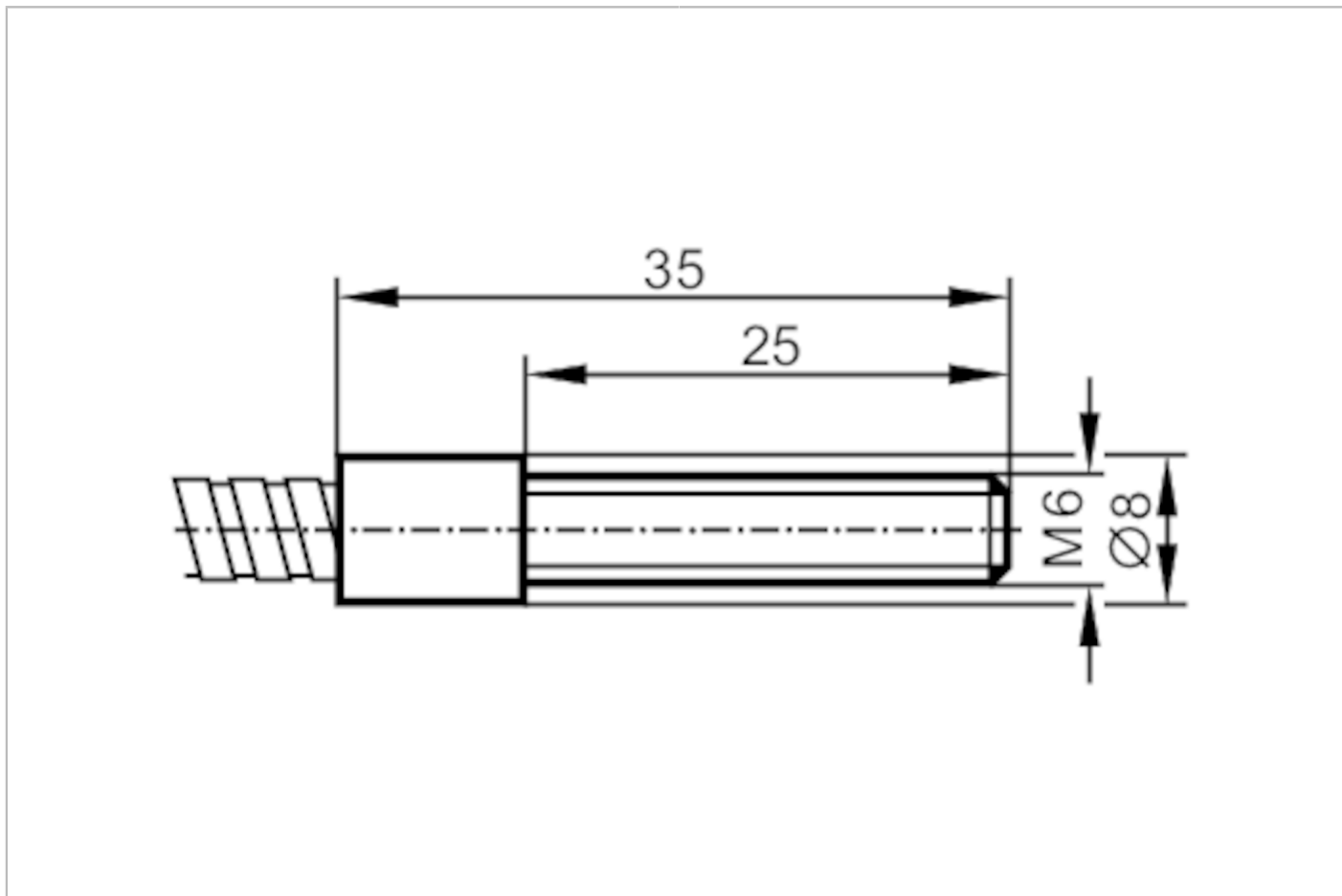




Fiber optic through beam sensor

FE-30-A-A-M6/1M



Application	
Function principle	Through-beam sensor
Application	High temperature resistance; Robust design for use in harsh industrial environments
Monitoring range	
Range with fiber optic amplifier type	OIF
OIF	
Range of fiber optics [mm]	300
Operating conditions	
Ambient temperature [°C]	-40...290
Mechanical data	
Weight [g]	135
Version of sensing head	straight
Sensing head thread	M6
Total length [mm]	1000
Min. bending radius [mm]	30; (for fixed installation)
Fiber arrangement	●
Material	Adapter: PA
Fiber material	glass
Fiber head material	aluminum

E20187



Fiber optic through beam sensor

FE-30-A-A-M6/1M

Fiber sheath material	aluminum
Accessories	
Items supplied	Hexagon nuts: 4 x M6, stainless steel
	tooth lock washers: 4
	Knurled nut: 1 x M30
Remarks	
Pack quantity	1 pcs.