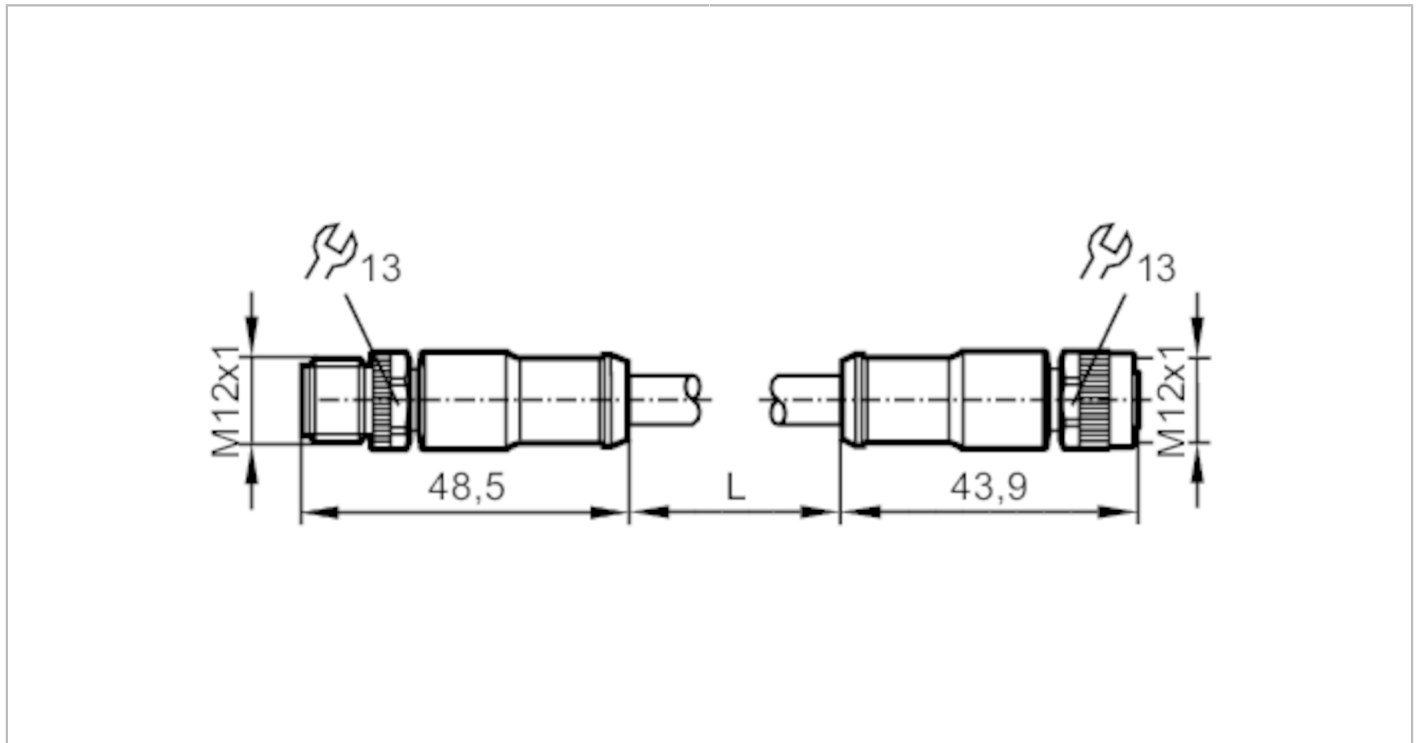


E11595



Connection cable

VDOGH050ZDA0010C05STGH050ZDS



Application		
System	Halogen-free; gold-plated contacts; screened cable; Drag chain suitability	
Application	CAN bus	
Electrical data		
Operating voltage [V]	< 30 AC / < 36 DC	
Max. current load total [A]	4	
Operating conditions		
Ambient temperature [°C]	-25...80	
Storage temperature [°C]	-40...80	
Protection	IP 68	
Mechanical data		
Weight [g]	729	
Dimensions [mm]	14.5 x 14.5 x 48.5	
Material	PUR	
Molded-body material	PUR	
Material nut	diecast zinc, nickel-plated	
Drag chain suitability	yes	
Drag chain suitability	Bending radius for flexible applications	min. 10 x cable diameter
	Bending radius for fixed installation	min. 5 x cable diameter
	Travel speed	max. 3.3 m/s for a horizontal travel length of 5 m and max. acceleration of 5 m/s ²
	Bending cycles	> 1 Mio.
Remarks		
Pack quantity	1 pcs.	

E11595

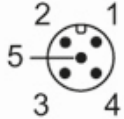


Connection cable

VDOGH050ZDA0010C05STGH050ZDS

Electrical connection - plug

Connector: 1 x M12, straight; coding: A; Moulded body: PUR; Locking: diecast zinc, nickel-plated; Contacts: gold-plated; Tightening torque: 0.5 Nm

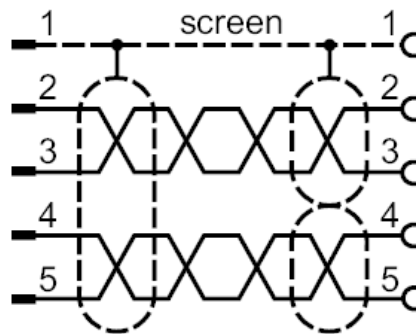


Electrical connection

Cable: 10 m, PUR, Halogen-free, lilac, Ø 7.2 mm, screened; twisted; 2 (RD) / 3 (BK): 2 x 0.25 mm² (19 x Ø 0.13 mm) / twisted + 4 (WH) / 5 (BU): 2 x 0.34 mm² (19 x Ø 0.16 mm) / twisted

Cable: 10 m, PUR, Halogen-free, lilac, Ø 7.2 mm, screened; screen; 1: 1 x 0.34 mm² (19 x Ø 0.16 mm)

Connection



Core colors :
BK = black
BU = blue
RD = red
WH = white
screen = screen

Electrical connection - Socket

Connector: 1 x M12, straight; coding: A; Moulded body: PUR; Locking: diecast zinc, nickel-plated; Contacts: gold-plated; Tightening torque: 0.5 Nm

