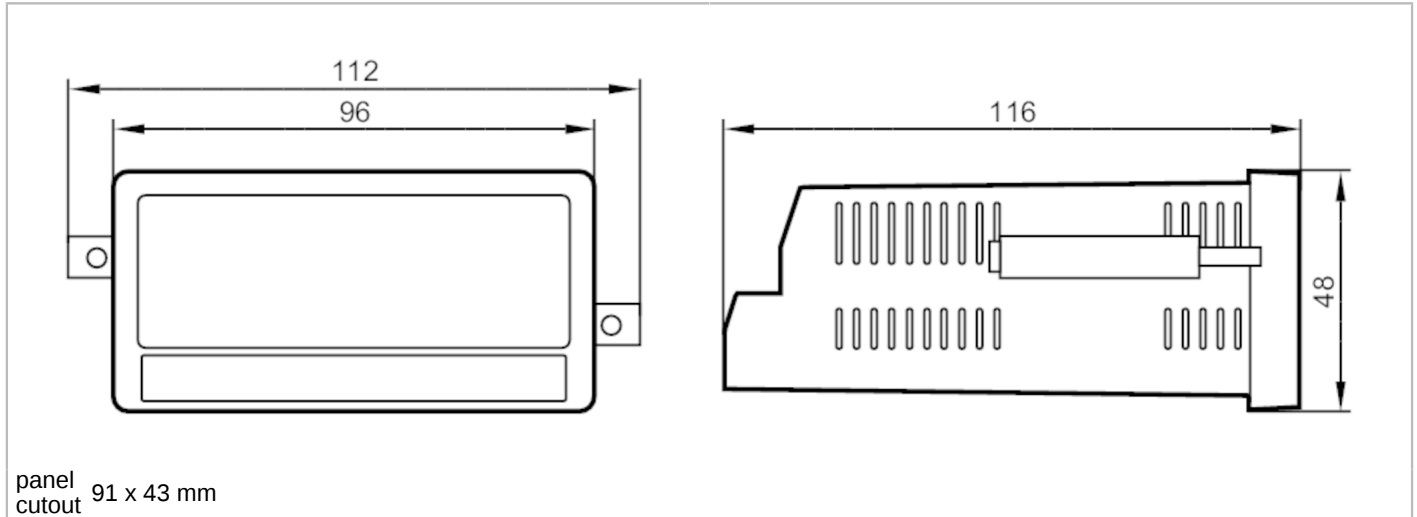


# DX2052



## Multifunction display for monitoring analog standard signals

DISPLAY/AX460/PNP OUT/DC



panel cutout 91 x 43 mm



Product characteristics		
Dimensions	[mm]	48 x 112 x 116
Application		
Application		displaying and monitoring analog signals; e.g. pressure sensors, temperature sensors or flow sensors
Electrical data		
Operating voltage	[V]	18...30 DC
Current consumption	[mA]	100
Inputs / outputs		
Number of inputs and outputs		Number of analog inputs: 2; Number of digital outputs: 4
Inputs		
Number of analog inputs		2; (Spannungs- oder Stromeingang)
Analog input (current)	[mA]	0...20
Analog input (voltage)	[V]	-10...10
Resolution of analog input		16 bit
Precision analog input	[%]	0,1
Outputs		
Number of digital outputs		4
Overload protection		yes
Operating conditions		
Ambient temperature	[°C]	-20...60
Storage temperature	[°C]	-25...70
Protection		IP 65
Protection rating terminals		IP 20
Tests / approvals		
EMC		EN 61000-6-2
		EN 61000-6-3
		EN 61000-6-4

# DX2052



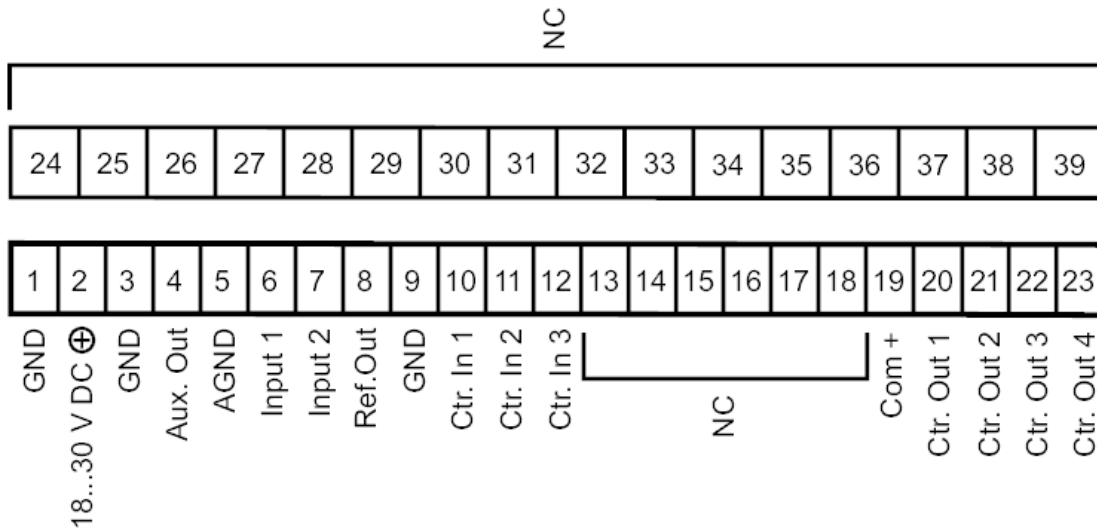
## Multifunction display for monitoring analog standard signals

DISPLAY/AX460/PNP OUT/DC

Mechanical data	
Weight [g]	299.5
Type of mounting	panel cutout: 91 x 43 mm
Dimensions [mm]	48 x 112 x 116
Material	Noryl UL94-V-0

Displays / operating elements	
Display	Color display full graphic LCD display, Touch screen

Electrical connection	
screw terminals:	
Connection	



NC                    not used