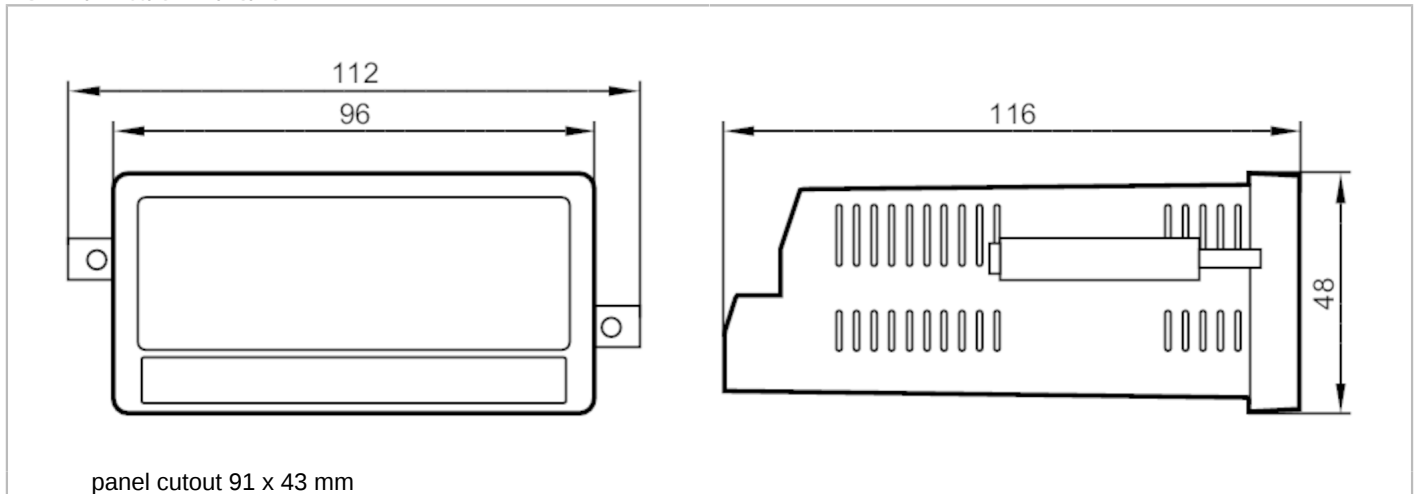


DX2045



Multifunction display for monitoring analog standard signals

DISPLAY/AX460/IO-Link/AC/DC



Product characteristics	
Communication interface	IO-Link
Dimensions [mm]	48 x 112 x 116
Application	
Application	displaying and monitoring analog signals; e.g. pressure sensors, temperature sensors or flow sensors
Electrical data	
Frequency AC [Hz]	50...60
Operating voltage [V]	115...230 AC / 18...30 DC
Current consumption [mA]	100
Power consumption [W]	3
Inputs / outputs	
Number of inputs and outputs	Number of analog inputs: 2; Number of digital outputs: 4
Inputs	
Number of analog inputs	2; (Spannungs- oder Stromeingang)
Analog input (current) [mA]	0...20
Analog input (voltage) [V]	-10...10
Resolution of analog input	16 bit
Precision analog input [%]	0,1
Outputs	
Number of digital outputs	4
Max. current load per output [mA]	200
Overload protection	yes
Interfaces	
Communication interface	IO-Link
Transmission type	COM3 (230,4 kBaud)
IO-Link revision	1.1
Required master port class	A
Min. process cycle time [ms]	3

DX2045



Multifunction display for monitoring analog standard signals

DISPLAY/AX460/IO-Link/AC/DC

Operating conditions	
Ambient temperature [°C]	-20...60
Storage temperature [°C]	-25...70
Protection	IP 65
Protection rating terminals	IP 20

Tests / approvals	
EMC	EN 61000-6-2
	EN 61000-6-3
	EN 61000-6-4

Mechanical data	
Weight [g]	369
Type of mounting	panel cutout: 91 x 43 mm
Dimensions [mm]	48 x 112 x 116
Material	Noryl UL94-V-0

Displays / operating elements	
Display	Color display full graphic LCD display, Touch screen

Electrical connection

screw terminals:

Connection

