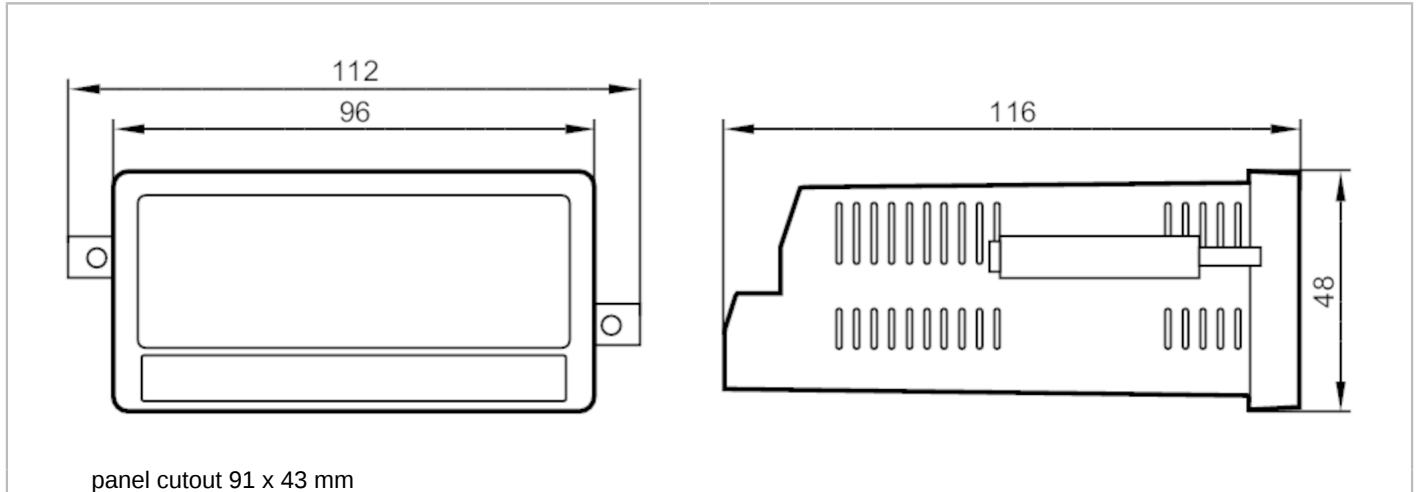


# DX2043



## Multifunction display for monitoring analog standard signals

DISPLAY/AX460/ANALOG/AC/DC



Product characteristics		
Dimensions	[mm]	48 x 112 x 116
Application		
Application		displaying and monitoring analog signals; e.g. pressure sensors, temperature sensors or flow sensors
Electrical data		
Frequency AC	[Hz]	50...60
Operating voltage	[V]	115...230 AC / 18...30 DC
Current consumption	[mA]	100
Power consumption	[W]	3
Inputs / outputs		
Number of inputs and outputs		Number of analog inputs: 2; Number of digital outputs: 4; Number of analog outputs: 1
Inputs		
Number of analog inputs		2; (Spannungs- oder Stromeingang)
Analog input (current)	[mA]	0...20
Analog input (voltage)	[V]	-10...10
Resolution of analog input		16 bit
Precision analog input	[%]	0,1
Outputs		
Number of digital outputs		4
Max. current load per output	[mA]	200
Number of analog outputs		1
Analog current output	[mA]	0...20
Max. load	[Ω]	270
Analog voltage output	[V]	-10...10
Precision analog output	[%]	0,1
Overload protection		yes
Resolution of analog output		16 bit

# DX2043



## Multifunction display for monitoring analog standard signals

DISPLAY/AX460/ANALOG/AC/DC

Operating conditions	
Ambient temperature [°C]	-20...60
Storage temperature [°C]	-25...70
Protection	IP 65
Protection rating terminals	IP 20

Tests / approvals	
EMC	EN 61000-6-2
	EN 61000-6-3
	EN 61000-6-4

Mechanical data	
Weight [g]	350.5
Type of mounting	panel cutout: 91 x 43 mm
Dimensions [mm]	48 x 112 x 116
Material	Noryl UL94-V-0

Displays / operating elements	
Display	Color display full graphic LCD display, Touch screen

### Electrical connection

screw terminals:

#### Connection

