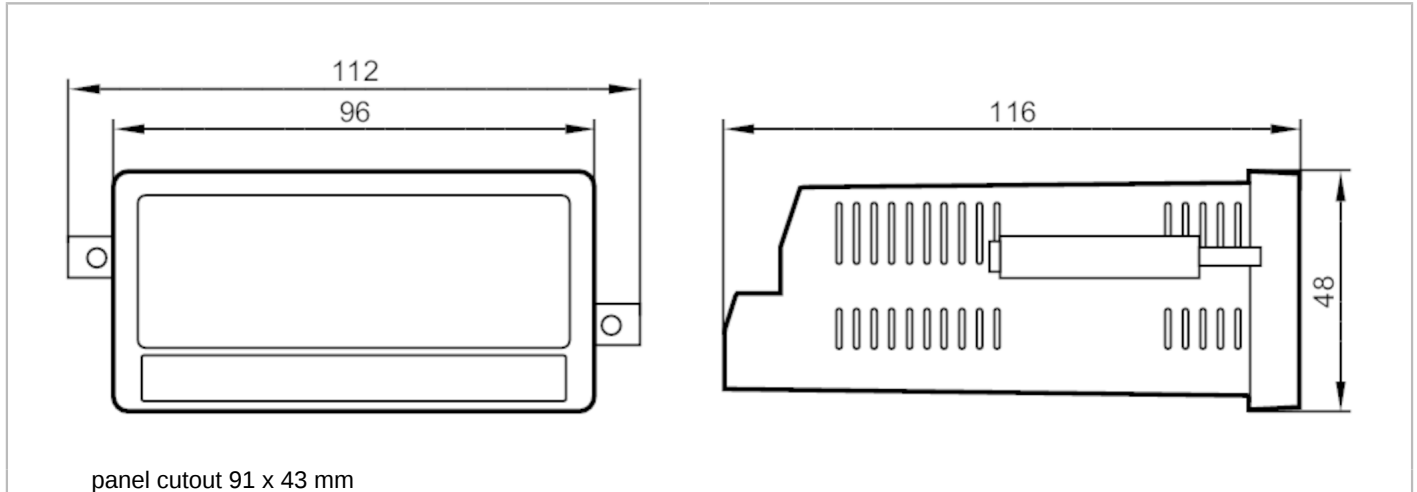


# DX2033



## Multifunction display for monitoring revolution, speed and time

DISPLAY/FX460/PNP OUT/DC



Product characteristics		
Dimensions	[mm]	48 x 112 x 116
Application		
Application		universal evaluation and display for all physical units which can be derived from pulse sequences
Electrical data		
Operating voltage	[V]	18...30 DC
Current consumption	[mA]	100
Inputs / outputs		
Number of inputs and outputs		Number of digital inputs: 2; Number of digital outputs: 4
Inputs		
Number of digital inputs		2
Outputs		
Number of digital outputs		4
Overload protection		yes
Operating conditions		
Ambient temperature	[°C]	-20...60
Storage temperature	[°C]	-25...70
Protection		IP 65
Protection rating terminals		IP 20
Tests / approvals		
EMC		EN 61000-6-2 EN 61000-6-3 EN 61000-6-4
Mechanical data		
Weight	[g]	299
Type of mounting		panel cutout: 91 x 43 mm
Dimensions	[mm]	48 x 112 x 116
Material		Noryl UL94-V-0

# DX2033



## Multifunction display for monitoring revolution, speed and time

DISPLAY/FX460/PNP OUT/DC

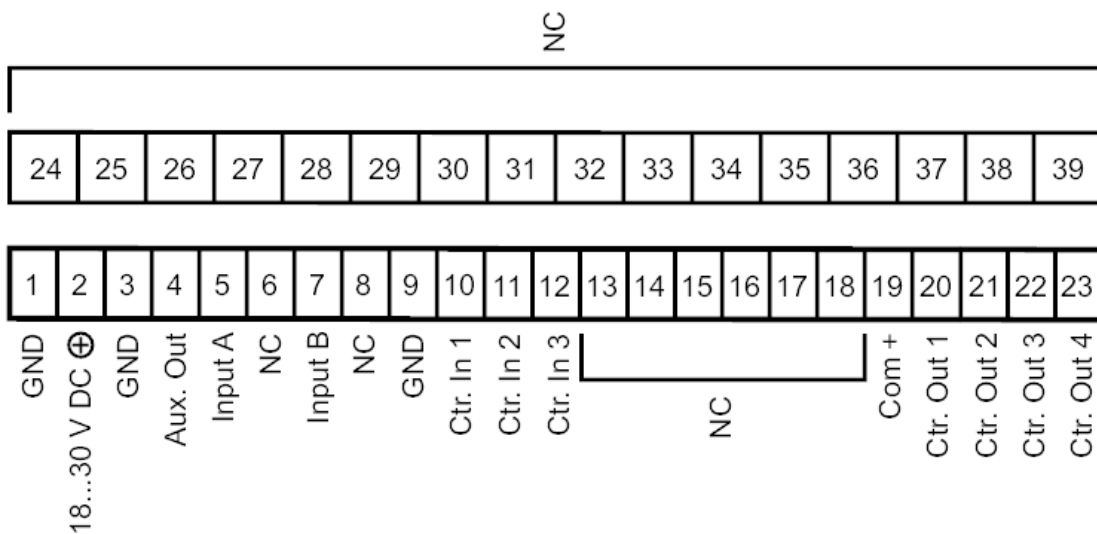
### Displays / operating elements

Display Color display full graphic LCD display, Touch screen

### Electrical connection

screw terminals:

### Connection



NC: not used