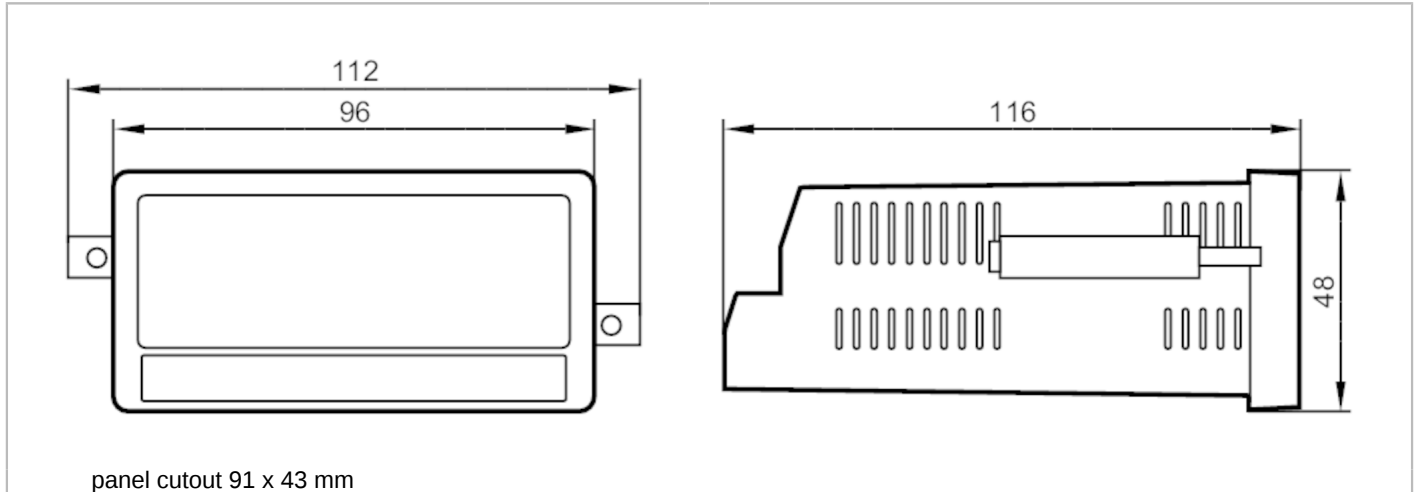


# DX2032



## Multifunction display for monitoring revolution, speed and time

DISPLAY/FX460/ANALOG/DC



Product characteristics		
Dimensions	[mm]	48 x 112 x 116
Application		
Application		universal evaluation and display for all physical units which can be derived from pulse sequences
Electrical data		
Operating voltage	[V]	18...30 DC
Current consumption	[mA]	100
Inputs / outputs		
Number of inputs and outputs		Number of digital inputs: 2; Number of digital outputs: 4; Number of analog outputs: 1
Inputs		
Number of digital inputs		2
Outputs		
Number of digital outputs		4
Number of analog outputs		1
Analog current output	[mA]	0...20
Max. load	[Ω]	270
Analog voltage output	[V]	-10...10
Precision analog output	[%]	0,1
Overload protection		yes
Resolution of analog output		16 bit
Operating conditions		
Ambient temperature	[°C]	-20...60
Storage temperature	[°C]	-25...70
Protection		IP 65
Protection rating terminals		IP 20

# DX2032



## Multifunction display for monitoring revolution, speed and time

DISPLAY/FX460/ANALOG/DC

### Tests / approvals

EMC	EN 61000-6-2	
	EN 61000-6-3	
	EN 61000-6-4	

### Mechanical data

Weight	[g]	302.5
Type of mounting		panel cutout: 91 x 43 mm
Dimensions	[mm]	48 x 112 x 116
Material		Noryl UL94-V-0

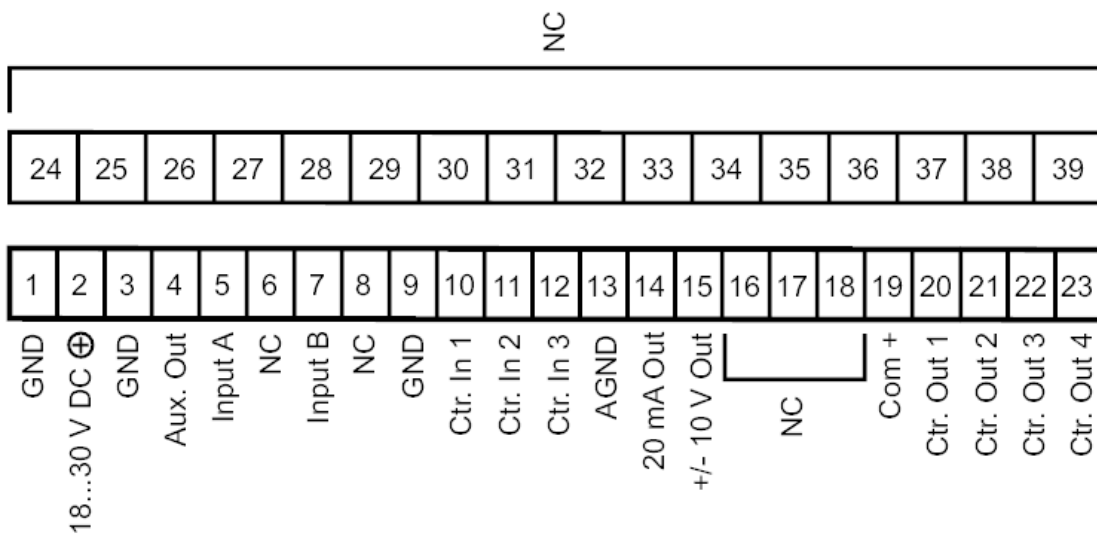
### Displays / operating elements

Display	Color display	full graphic LCD display, Touch screen
---------	---------------	--

### Electrical connection

screw terminals:

#### Connection



NC: not used