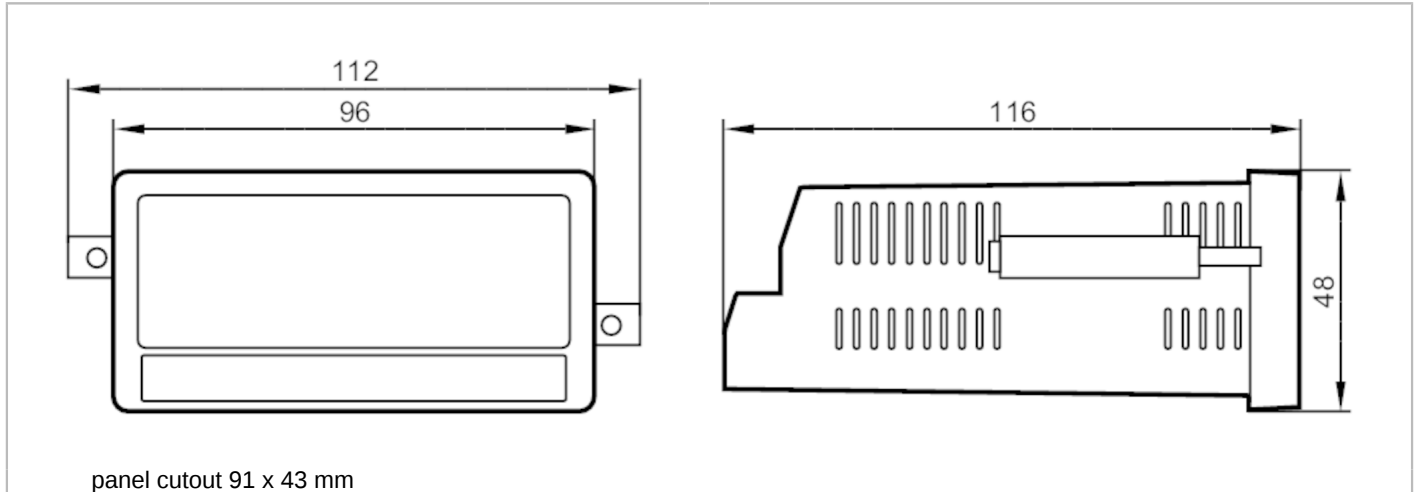


DX2023



Multifunction display for monitoring revolution, speed and time

DISPLAY/FX460/PNP OUT/AC/DC



| Product characteristics | | |
|------------------------------|------|---|
| Dimensions | [mm] | 48 x 112 x 116 |
| Application | | |
| Application | | universal evaluation and display for all physical units which can be derived from pulse sequences |
| Electrical data | | |
| Frequency AC | [Hz] | 50...60 |
| Operating voltage | [V] | 115...230 AC / 18...30 DC |
| Current consumption | [mA] | 100 |
| Inputs / outputs | | |
| Number of inputs and outputs | | Number of digital inputs: 2; Number of digital outputs: 4 |
| Inputs | | |
| Number of digital inputs | | 2 |
| Outputs | | |
| Number of digital outputs | | 4 |
| Overload protection | | yes |
| Operating conditions | | |
| Ambient temperature | [°C] | -20...60 |
| Storage temperature | [°C] | -25...70 |
| Protection | | IP 65 |
| Protection rating terminals | | IP 20 |
| Tests / approvals | | |
| EMC | | EN 61000-6-2 EN 61000-6-3 EN 61000-6-4 |
| Mechanical data | | |
| Weight | [g] | 352 |
| Type of mounting | | panel cutout: 91 x 43 mm |
| Dimensions | [mm] | 48 x 112 x 116 |



Multifunction display for monitoring revolution, speed and time

DISPLAY/FX460/PNP OUT/AC/DC

Material

Noryl UL94-V-0

Displays / operating elements

Display

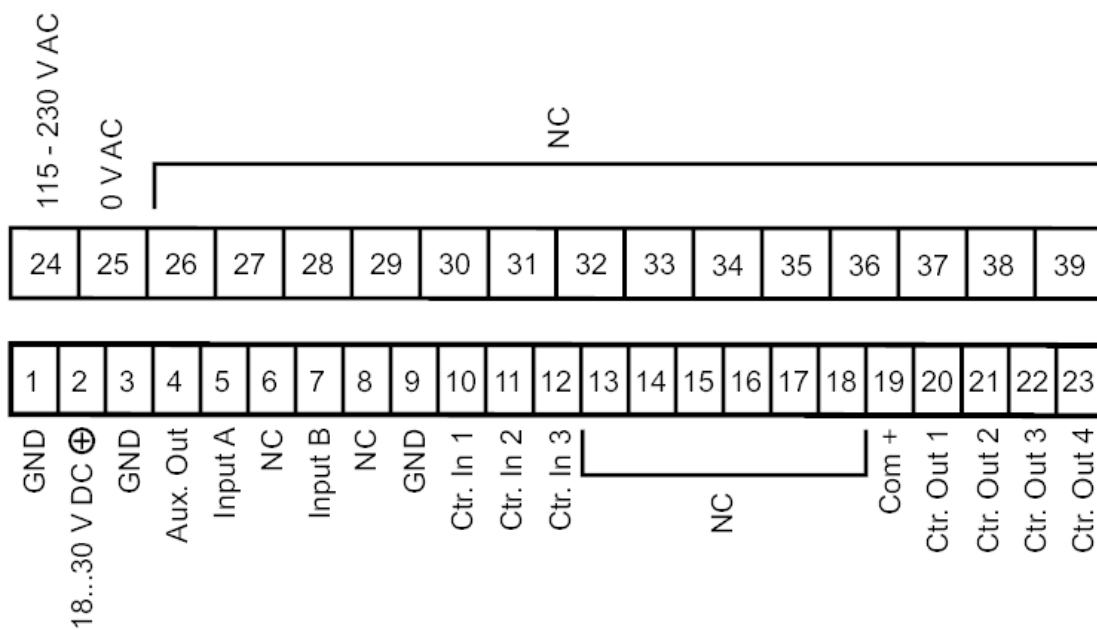
Color display

full graphic LCD display, Touch screen

Electrical connection

screw terminals:

Connection



NC: not used