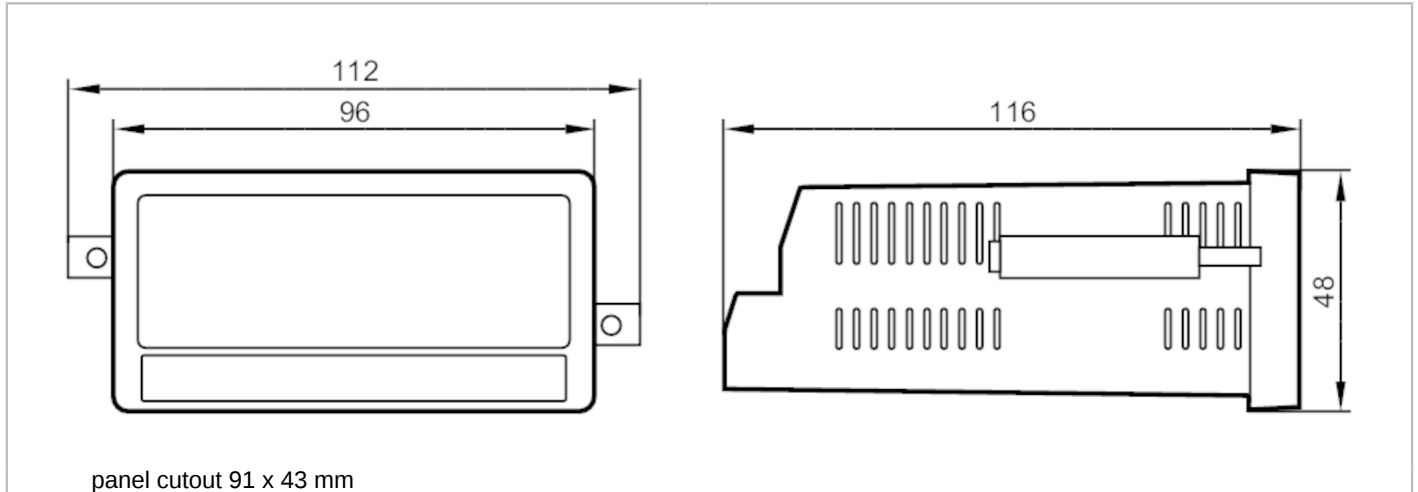


DX2022



Multifunction display for monitoring revolution, speed and time

DISPLAY/FX460/ANALOG/AC/DC



Product characteristics		
Dimensions	[mm]	48 x 112 x 116
Application		
Application		universal evaluation and display for all physical units which can be derived from pulse sequences
Electrical data		
Frequency AC	[Hz]	50...60
Operating voltage	[V]	115...230 AC / 18...30 DC
Current consumption	[mA]	100
Inputs / outputs		
Number of inputs and outputs		Number of digital inputs: 2; Number of digital outputs: 4; Number of analog outputs: 1
Inputs		
Number of digital inputs		2
Outputs		
Number of digital outputs		4
Number of analog outputs		1
Analog current output	[mA]	4...20
Max. load	[Ω]	270
Analog voltage output	[V]	-10...10
Overload protection		yes
Operating conditions		
Ambient temperature	[°C]	-20...60
Storage temperature	[°C]	-25...70
Protection		IP 65
Protection rating terminals		IP 20
Tests / approvals		
EMC	EN 61000-6-2	
	EN 61000-6-3	
	EN 61000-6-4	



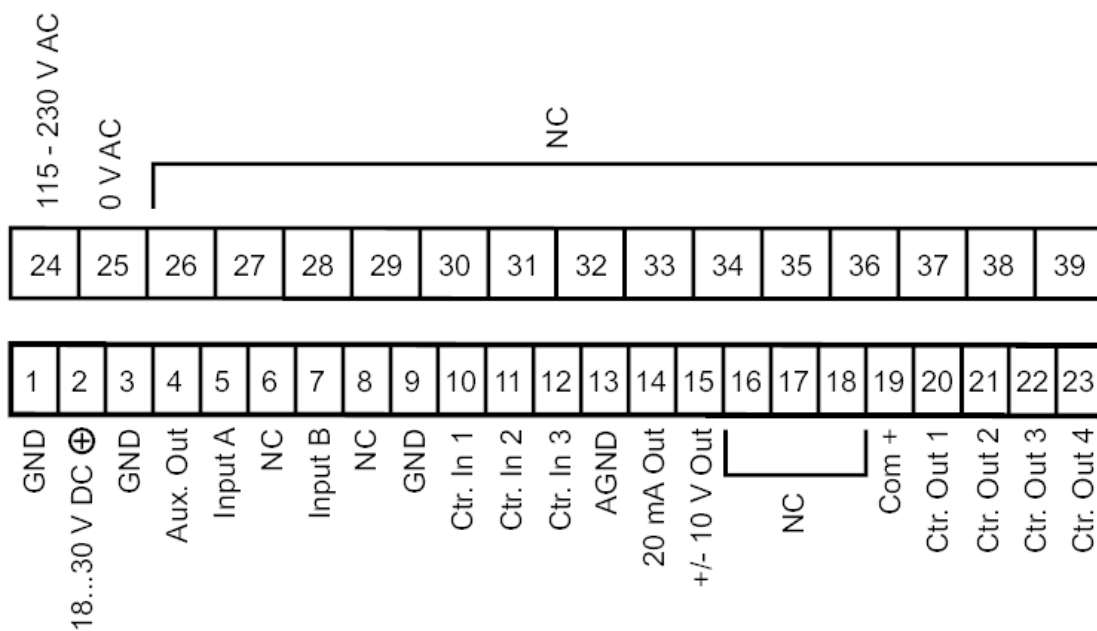
Multifunction display for monitoring revolution, speed and time

DISPLAY/FX460/ANALOG/AC/DC

Mechanical data	
Weight [g]	352
Type of mounting	panel cutout: 91 x 43 mm
Dimensions [mm]	48 x 112 x 116
Material	Noryl UL94-V-0

Displays / operating elements	
Display	Color display full graphic LCD display, Touch screen

Electrical connection	
screw terminals:	
Connection	



NC: not used