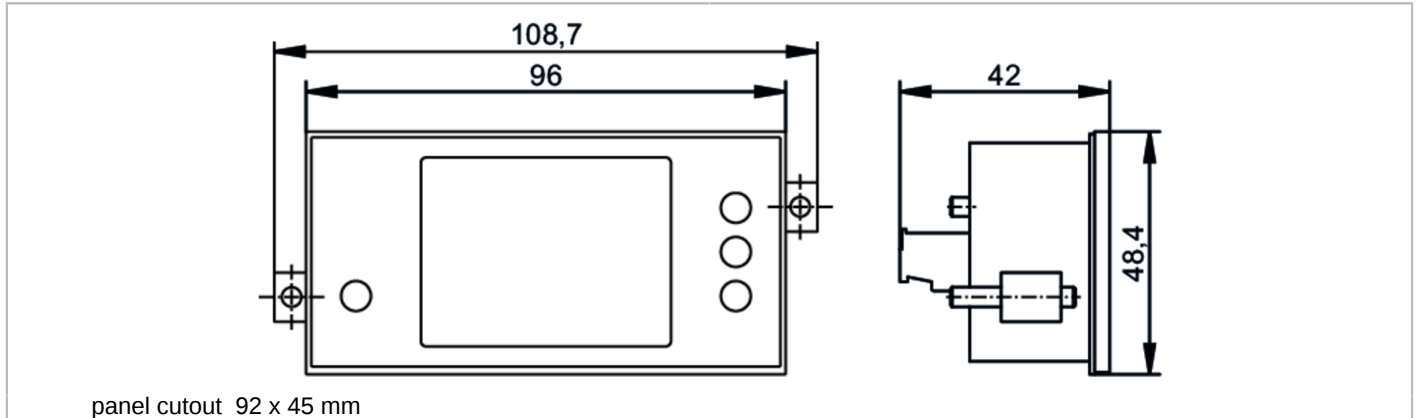


DX1063



Multifunction display for monitoring analog standard signals

DISPLAY/UNIVERSAL INPUT/DC



Product characteristics		
Dimensions	[mm]	48 x 109 x 42
Application		
Application		displaying and monitoring analog signals
Electrical data		
Operating voltage	[V]	21.6...26.4 DC
Current consumption	[mA]	< 65
Inputs / outputs		
Number of inputs and outputs		Number of relay outputs: 2
Inputs		
multifunction inputs		
Number		1
Analog input	function type	Current
	input range [mA]	0...22
	input resistance [Ω]	125
	Resolution	14 Bit
	Accuracy	0,2 % \pm 1 Digit
Analog input	function type	Voltage
	input range [V]	0...12
	input resistance [k Ω]	> 100
	Resolution	14 Bit
	Accuracy	0,2 % \pm 1 Digit
Resistor input	function type	PT100 / PT1000
	Measuring range [$^{\circ}$ C]	-200...850
	Resolution	\geq 0,1 K
	Accuracy	0,5 % \pm 1 Digit



Multifunction display for monitoring analog standard signals

DISPLAY/UNIVERSAL INPUT/DC

Analog input	function type	Thermocouple
	Measuring range [°C]	Typ K: -270...1350
	Measuring range [°C]	Typ S: -50...1750
	Measuring range [°C]	Typ N: -270...1300
	Measuring range [°C]	Typ J: -170...950
	Measuring range [°C]	Typ T: -270...400
	Measuring range [°C]	Typ R: -50...1768
	Measuring range [°C]	Typ B: 80...1820
	Measuring range [°C]	Typ E: -270...1000
	Measuring range [°C]	Typ L: -200...900
	Resolution	1 K
Accuracy	0,3 % ± 1 Digit	
Frequency input	function type	Frequency
	Frequency [Hz]	0...10000
Frequency input	function type	rotational speed
	rotational speed [1/min]	0...9999
Frequency input	function type	Counter
	Counter	0...9999
Frequency input	Circuit	TTL
	Switching level high [V]	> 3
	Switching level low [V]	< 2
Frequency input	Circuit	PNP
	Switching level high [V]	> 8
	Switching level low [V]	< 6
	input frequency [Hz]	< 1000
Frequency input	Circuit	NPN
	Switching level high [V]	> 0,8
	Switching level low [V]	< 0,8
	input frequency [Hz]	< 3000
Frequency input	Circuit	NAMUR
	Input current High [mA]	> 2,5
	Input current low [mA]	< 1,5

Outputs

Number of relay outputs	2; (changeover contact)
Contact rating	2 A (30 V DC)

Measuring/setting range

Sampling rate	[Hz]	0...10000; (see operating instructions)
---------------	------	---

Operating conditions

Ambient temperature	[°C]	-20...60
Storage temperature	[°C]	-30...70
Max. relative air humidity	[%]	85
Max. height above sea level	[m]	4000
Protection		IP 65
Protection rating terminals		IP 00

Tests / approvals

EMC	EN 61326	
	IEC 61131-2 Typ 3	

DX1063



Multifunction display for monitoring analog standard signals

DISPLAY/UNIVERSAL INPUT/DC

MTTF	[years]	176
------	---------	-----

Mechanical data

Weight	[g]	144.8
Type of mounting		panel cutout: 92 x 45 mm
Dimensions	[mm]	48 x 109 x 42
Material		housing: polycarbonate; sealing: EPDM

Displays / operating elements

Display	Color display	full graphics TFT display, 2,4" 320 x 240 Pixel digit height 15 mm
---------	---------------	---

Electrical connection

pluggable screw terminal: ...2.5 mm²

Connection

