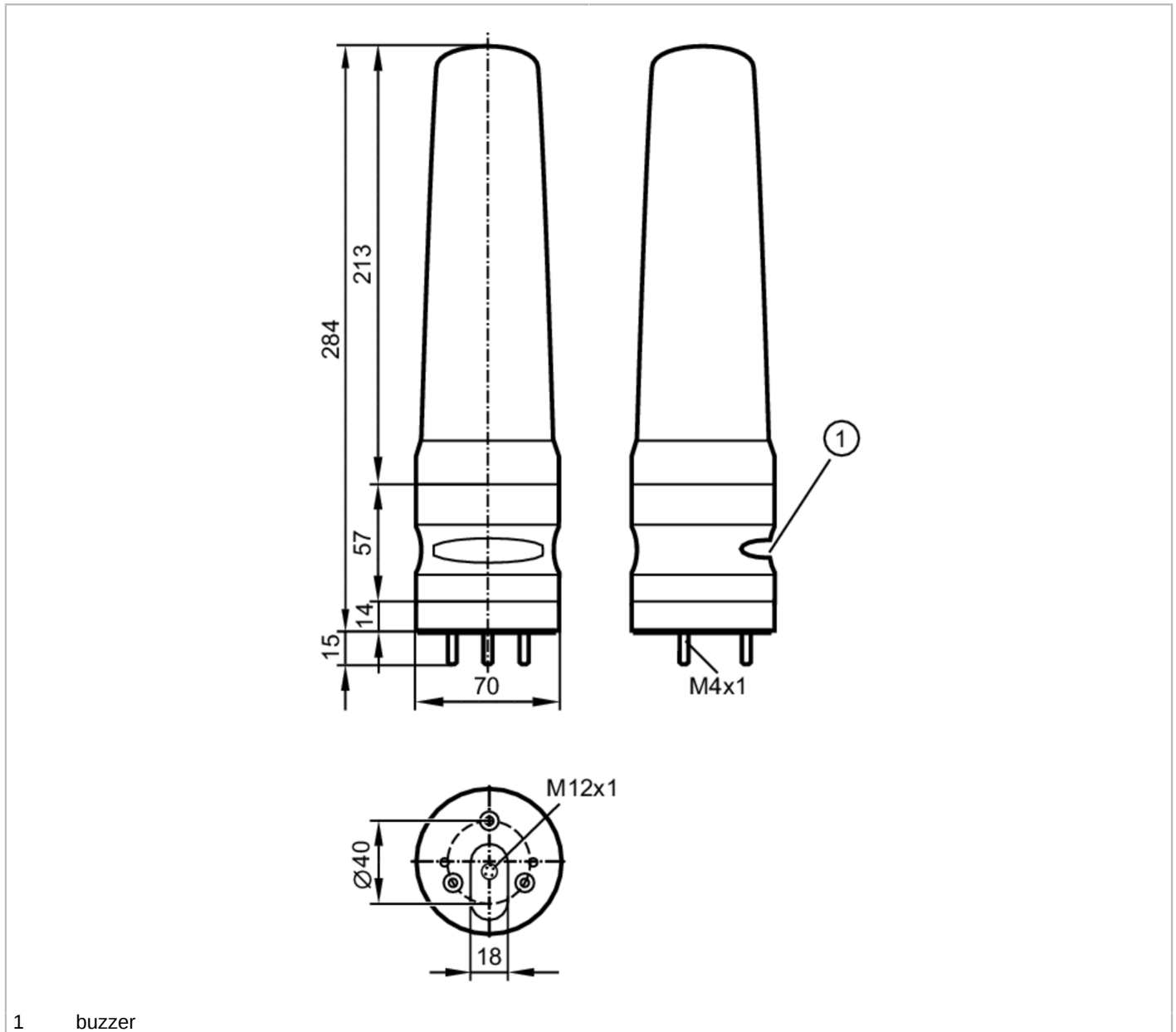


DV2930



20-LED light tower

LED-Tower-20-a/IOL/Buzzer



1 buzzer



Application	
Application	signaling machine conditions
Electrical data	
Operating voltage [V]	18...30 DC; (to SELV/PELV)
Nominal voltage DC [V]	24
Current consumption [mA]	< 200
Switch-on peak current [mA]	500; (2 ms; 400 mA: 50 ms)
Inputs	
Input current High [mA]	6
Interfaces	
Communication interface	IO-Link

DV2930



20-LED light tower

LED-Tower-20-a/IOL/Buzzer

Transmission type	COM2 (38,4 kBaud)	
IO-Link revision	1.1	
SDCI standard	IEC 61131-9	
SIO mode	yes	
Required master port class	A	
Min. process cycle time [ms]	3.2	
Supported DeviceIDs	Type of operation default	DeviceID 1533

Operating conditions

Ambient temperature [°C]	-25...50
Storage temperature [°C]	-40...75
Max. relative air humidity [%]	90
Air pressure [kPa]	< 106
Max. height above sea level [m]	2000
Protection	IP 54

Mechanical data

Weight [g]	493
Dimensions [mm]	Ø 70 / L = 284
Material	housing: ABS; lens: PC

Displays / operating elements

Display	LED segment	20 x LEDs, multi-color
Acoustic signal	buzzer	
Max. sound pressure [dB]	85	

Accessories

Accessories (optional)	mounting base, E89060
	wall bracket, E89061
	Mounting adapter, E89063
	bracket with lateral cable entry, E89064
	mounting tube, E89065
	mounting tube, E89066
	mounting tube, E89067

Remarks

Remarks	Further information is available in the manual.
Pack quantity	1 pcs.

DV2930



20-LED light tower

LED-Tower-20-a/IOL/Buzzer

Electrical connection - plug

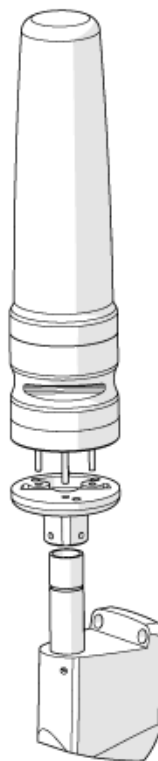
Connector: M12; coding: A



1	UB+
2	not used
3	UB-
4	IO-Link (C/Q)

Diagrams and graphs

wall mounting



DV2930

20-LED light tower

LED-Tower-20-a/IOL/Buzzer



base mounting

