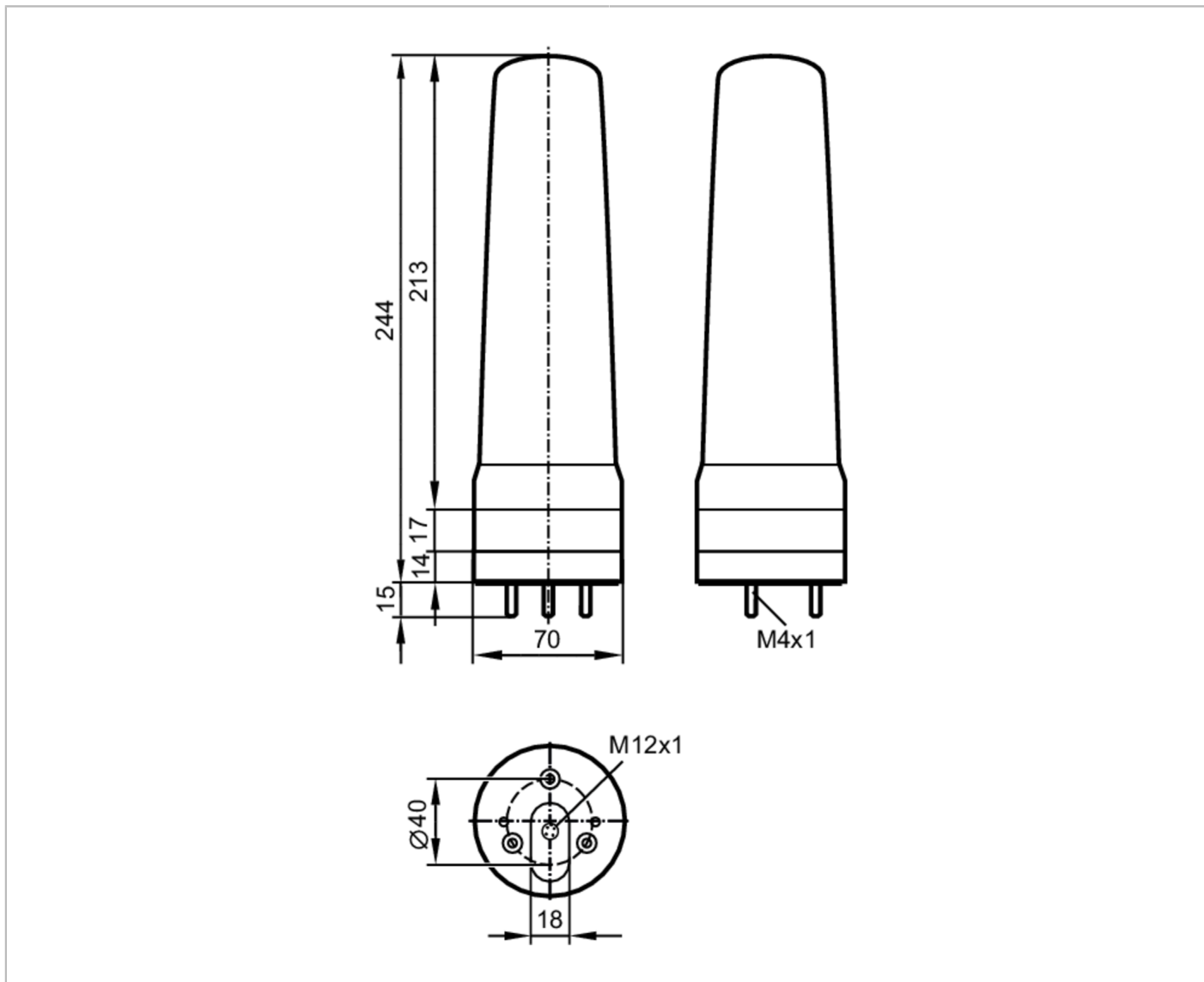


# DV2920



## 20-LED light tower

LED-Tower-20-a/IO-Link



Application	
Application	signaling machine conditions
Electrical data	
Operating voltage [V]	18...30 DC; (to SELV/PELV)
Nominal voltage DC [V]	24
Current consumption [mA]	< 200
Switch-on peak current [mA]	500; (2 ms; 400 mA: 50 ms)
Inputs	
Input current High [mA]	6
Interfaces	
Communication interface	IO-Link
Transmission type	COM2 (38,4 kBaud)
IO-Link revision	1.1

# DV2920



## 20-LED light tower

LED-Tower-20-a/IO-Link

SDCI standard	IEC 61131-9	
SIO mode	yes	
Required master port class	A	
Min. process cycle time [ms]	3.2	
Supported DeviceIDs	<b>Type of operation</b> default	<b>DeviceID</b> 1533

Operating conditions	
Ambient temperature [°C]	-25...50
Storage temperature [°C]	-40...75
Max. relative air humidity [%]	90
Air pressure [kPa]	< 106
Max. height above sea level [m]	2000
Protection	IP 65

Mechanical data	
Weight [g]	412.8
Dimensions [mm]	Ø 70 / L = 244
Material	housing: ABS; lens: PC

Displays / operating elements		
Display	LED segment	20 x LEDs, multi-color

Accessories	
Accessories (optional)	mounting base, E89060
	wall bracket, E89061
	Mounting adapter, E89063
	bracket with lateral cable entry, E89064
	mounting tube, E89065
	mounting tube, E89066
	mounting tube, E89067

Remarks	
Remarks	Further information is available in the manual.
Pack quantity	1 pcs.

### Electrical connection - plug

Connector: M12; coding: A



1	UB+
2	not used
3	UB-
4	IO-Link (C/Q)

# DV2920

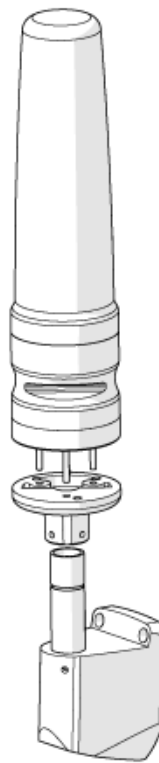
## 20-LED light tower

LED-Tower-20-a/I/O-Link



### Diagrams and graphs

wall mounting



base mounting

