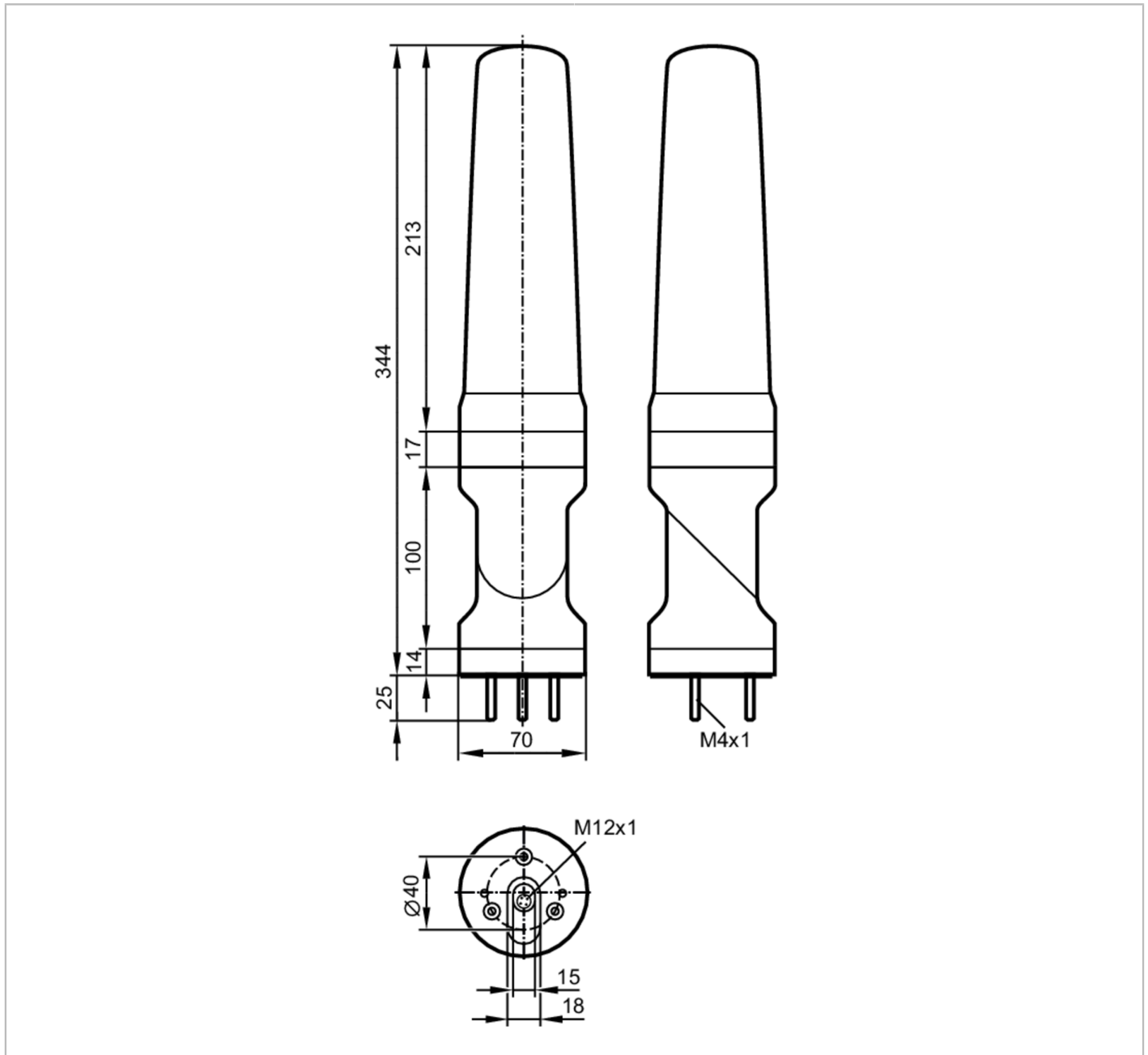


DV2900



20-LED light tower

LED-Tower-20-a/IOL/Bracket



Application	
Application	signaling machine conditions
Electrical data	
Operating voltage [V]	18...30 DC; (to SELV/PELV)
Nominal voltage DC [V]	24
Current consumption [mA]	< 200
Switch-on peak current [mA]	500; (2 ms; 400 mA: 50 ms)
Inputs	
Input current High [mA]	6

DV2900



20-LED light tower

LED-Tower-20-a/IOL/Bracket

Interfaces		
Communication interface	IO-Link	
Transmission type	COM2 (38,4 kBaud)	
IO-Link revision	1.1	
SDCI standard	IEC 61131-9	
SIO mode	yes	
Required master port class	A	
Min. process cycle time [ms]	3.2	
Supported DeviceIDs	Type of operation	DeviceID
	default	1533
Operating conditions		
Ambient temperature [°C]	-25...50	
Storage temperature [°C]	-40...75	
Max. relative air humidity [%]	90	
Air pressure [kPa]	< 106	
Max. height above sea level [m]	2000	
Protection	IP 65	
Mechanical data		
Weight [g]	535.9	
Type of mounting	Mounting base	
Dimensions [mm]	Ø 70 / L = 344	
Material	housing: ABS; lens: PC	
Displays / operating elements		
Display	LED segment	20 x LEDs, multi-color
Accessories		
Accessories (optional)	mounting base, E89060	
	wall bracket, E89061	
	Mounting adapter, E89063	
	bracket with lateral cable entry, E89064	
	mounting tube, E89065	
	mounting tube, E89066	
mounting tube, E89067		
Remarks		
Remarks	Further information is available in the manual.	
Pack quantity	1 pcs.	

DV2900



20-LED light tower

LED-Tower-20-a/IOL/Bracket

Electrical connection - plug

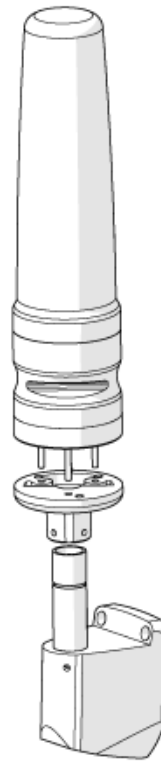
Connector: M12; coding: A



1	UB+
2	not used
3	UB-
4	IO-Link (C/Q)

Diagrams and graphs

wall mounting



DV2900

20-LED light tower

LED-Tower-20-a/IOL/Bracket



base mounting

