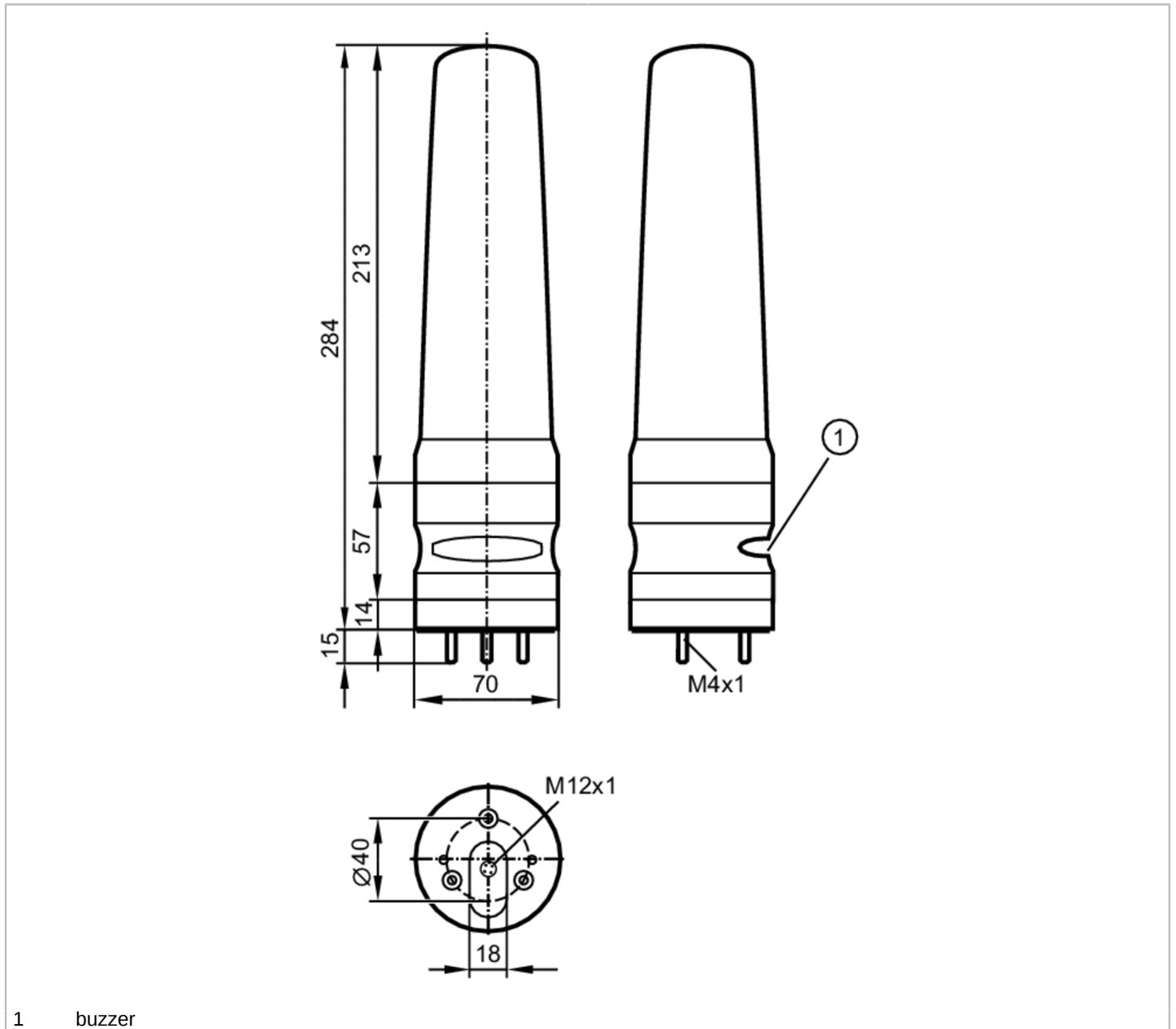


DV2530



5-segment light tower with IO-Link control

LED-Tower-5/IOL/Buzzer



CE cRU_{US} IO-Link

Application

Application signaling machine conditions

Electrical data

Operating voltage	[V]	18...30 DC; (to SELV/PELV)
Nominal voltage DC	[V]	24
Current consumption	[mA]	< 200

Inputs

Input current High	[mA]	6
--------------------	------	---

Interfaces

Communication interface	IO-Link
Transmission type	COM2 (38,4 kBaud)

DV2530



5-segment light tower with IO-Link control

LED-Tower-5/IOL/Buzzer

IO-Link revision	1.1	
SDCI standard	IEC 61131-9	
SIO mode	yes	
Required master port class	A	
Min. process cycle time [ms]	3.2	
Supported DeviceIDs	Type of operation default	DeviceID 841

Operating conditions		
Ambient temperature [°C]		-25...50
Storage temperature [°C]		-40...75
Max. relative air humidity [%]		90
Air pressure [kPa]		< 106
Max. height above sea level [m]		2000
Protection		IP 54

Mechanical data		
Weight [g]		563.5
Dimensions [mm]		Ø 70 / L = 284
Material		housing: ABS; lens: PC

Displays / operating elements		
Display	LED segment	5 x 4 LED
Acoustic signal		buzzer
Max. sound pressure [dB]		85

Accessories		
Accessories (optional)		mounting base, E89060
		wall bracket, E89061
		Mounting adapter, E89063
		bracket with lateral cable entry, E89064
		mounting tube, E89065
		mounting tube, E89066
		mounting tube, E89067

Remarks		
Remarks	Further information is available in the manual.	
Pack quantity	1 pcs.	

DV2530



5-segment light tower with IO-Link control

LED-Tower-5/IOL/Buzzer

Electrical connection - plug

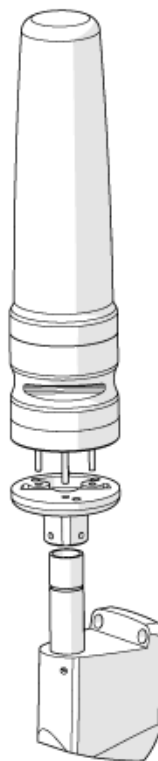
Connector: M12; coding: A



1	UB+
2	not used
3	UB-
4	IO-Link (C/Q)

Diagrams and graphs

wall mounting



DV2530



5-segment light tower with IO-Link control

LED-Tower-5/IOL/Buzzer

base mounting

