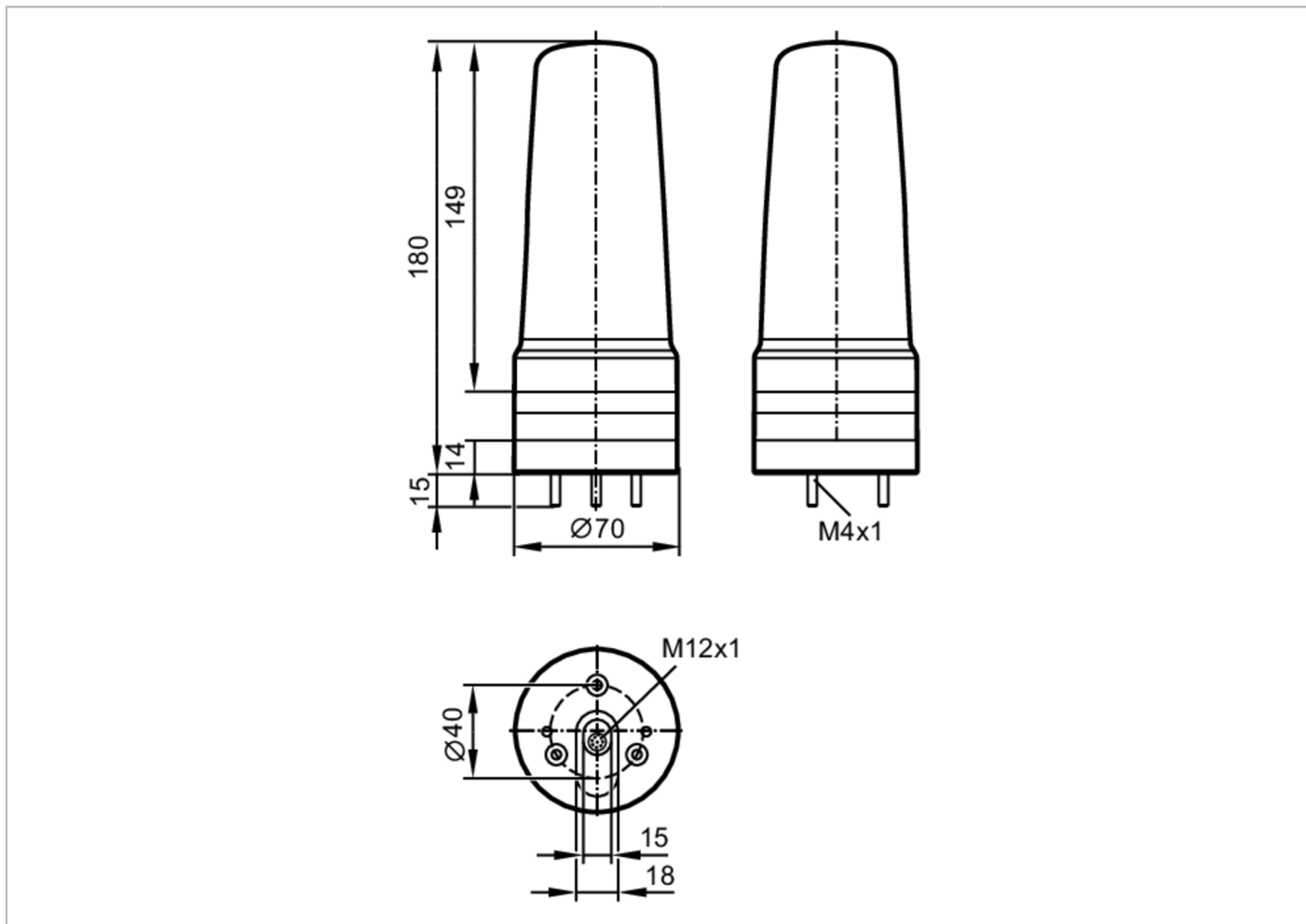


DV2320



3-segment signal light

LED-Tower-3/IO-Link



Application	
Application	signaling machine conditions
Electrical data	
Operating voltage [V]	18...30 DC; (to SELV/PELV)
Nominal voltage DC [V]	24
Current consumption [mA]	< 200
Inputs	
Input current High [mA]	6
Interfaces	
Communication interface	IO-Link
Transmission type	COM2 (38,4 kBaud)
IO-Link revision	1.1
SDCI standard	IEC 61131-9
SIO mode	yes
Required master port class	A
Min. process cycle time [ms]	3.2

DV2320



3-segment signal light

LED-Tower-3/IO-Link

Supported DeviceIDs	Type of operation	DeviceID
	default	1467

Operating conditions		
Ambient temperature	[°C]	-25...50
Storage temperature	[°C]	-40...75
Max. relative air humidity	[%]	90
Air pressure	[kPa]	< 106
Max. height above sea level	[m]	2000
Protection		IP 65

Tests / approvals		
UL approval	voltage supply	Class 2

Mechanical data		
Weight	[g]	364
Dimensions	[mm]	Ø 70 / L = 180
Material		housing: ABS; lens: PC

Displays / operating elements		
Display	LED segment	3 x 4 LED

Accessories		
Accessories (optional)		mounting base, E89060
		wall bracket, E89061
		Mounting adapter, E89063
		bracket with lateral cable entry, E89064
		mounting tube, E89065
		mounting tube, E89066
	mounting tube, E89067	

Remarks		
Remarks	Further information is available in the manual.	
Pack quantity	1 pcs.	

Electrical connection - plug

Connector: M12; coding: A



1	L+
2	not used
3	L-
4	IO-Link (C/Q)