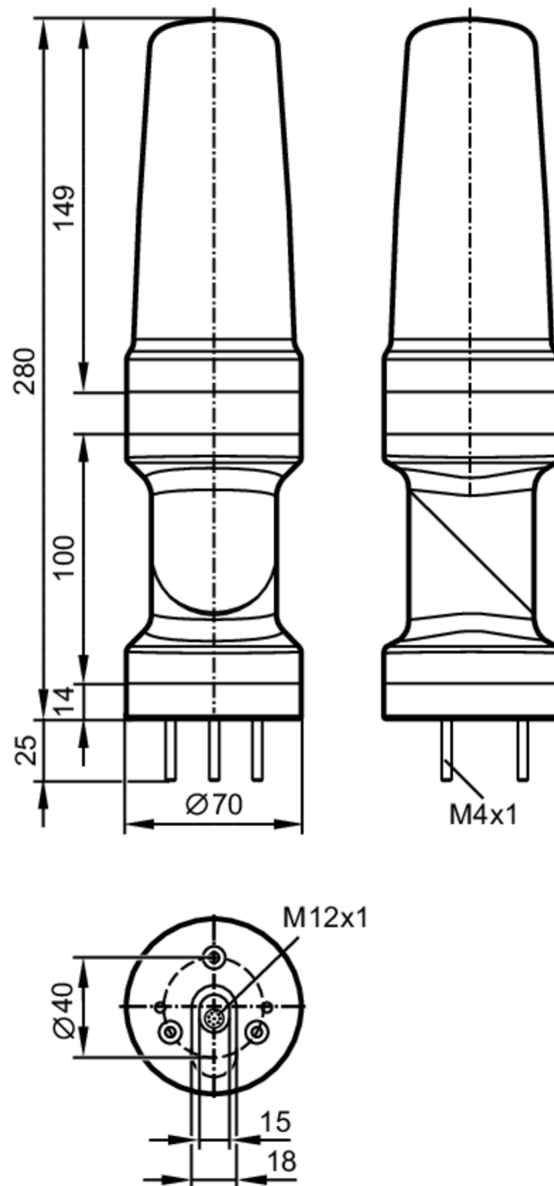


DV2300



3-segment signal light

LED-Tower-3/IO-Link/Bracket



Application	
Application	signaling machine conditions
Electrical data	
Operating voltage [V]	18...30 DC; (to SELV/PELV)
Nominal voltage DC [V]	24
Current consumption [mA]	< 200
Inputs	
Input current High [mA]	6
Interfaces	
Communication interface	IO-Link

DV2300



3-segment signal light

LED-Tower-3/IOL/Bracket

Transmission type	COM2 (38,4 kBaud)	
IO-Link revision	1.1	
SDCI standard	IEC 61131-9	
SIO mode	yes	
Required master port class	A	
Min. process cycle time [ms]	3.2	
Supported DeviceIDs	Type of operation	DeviceID
	default	1467

Operating conditions

Ambient temperature [°C]	-25...50
Storage temperature [°C]	-40...75
Max. relative air humidity [%]	90
Air pressure [kPa]	< 106
Max. height above sea level [m]	2000
Protection	IP 65

Tests / approvals

UL approval	voltage supply	Class 2
-------------	----------------	---------

Mechanical data

Weight [g]	465.7
Type of mounting	Mounting base
Dimensions [mm]	Ø 70 / L = 280
Material	housing: ABS; lens: PC

Displays / operating elements

Display	LED segment	3 x 4 LED
---------	-------------	-----------

Accessories

Accessories (optional)	mounting base, E89060
	wall bracket, E89061
	Mounting adapter, E89063
	bracket with lateral cable entry, E89064
	mounting tube, E89065
	mounting tube, E89066
	mounting tube, E89067

Remarks

Remarks	Further information is available in the manual.
Pack quantity	1 pcs.

DV2300



3-segment signal light

LED-Tower-3/IO-Link/Bracket

Electrical connection - plug

Connector: M12; coding: A



1	L+
2	not used
3	L-
4	IO-Link (C/Q)

Diagrams and graphs

