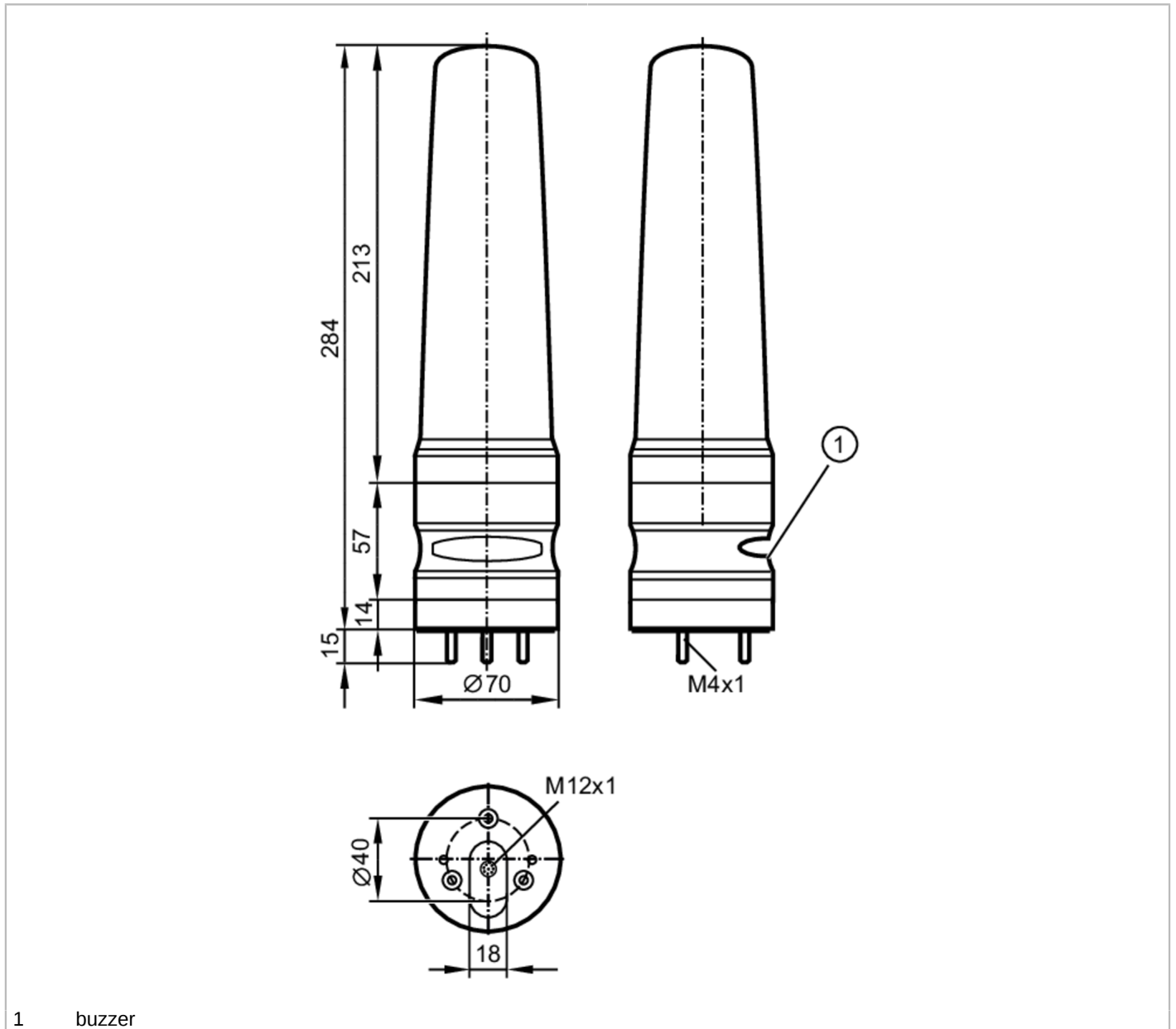


# DV1530



## 5-segment signal lamp

LED-Tower-5/Std/Buzzer



### Application

Application: signaling machine conditions

### Electrical data

Operating voltage	[V]	18...30 DC; (to SELV/PELV)
Nominal voltage DC	[V]	24
Current consumption	[mA]	< 200

### Inputs / outputs

Number of inputs and outputs: Number of digital inputs: 6

### Inputs

Number of digital inputs	6
Input current High	[mA] 6

# DV1530



## 5-segment signal lamp

LED-Tower-5/Std/Buzzer

Interfaces		
Communication interface	IO-Link	
Transmission type	COM2 (38,4 kBaud)	
IO-Link revision	1.1	
SDCI standard	IEC 61131-9	
SIO mode	yes	
Required master port class	A	
Min. process cycle time [ms]	3.2	
Supported DeviceIDs	<b>Type of operation</b>	<b>DeviceID</b>
	default	850
Operating conditions		
Ambient temperature [°C]	-25...50	
Storage temperature [°C]	-40...75	
Max. relative air humidity [%]	90	
Air pressure [kPa]	< 106	
Max. height above sea level [m]	2000	
Protection	IP 54	
Mechanical data		
Weight [g]	567	
Dimensions [mm]	Ø 70 / L = 284	
Material	housing: ABS; lens: PC	
Displays / operating elements		
Display	status	1 x LED, green
	LED segment	5 x 4 LED
Acoustic signal	buzzer	
Max. sound pressure [dB]	85	
Accessories		
Accessories (optional)	mounting base, E89060	
	wall bracket, E89061	
	Mounting adapter, E89063	
	bracket with lateral cable entry, E89064	
	mounting tube, E89065	
	mounting tube, E89066	
	mounting tube, E89067	
Remarks		
Remarks	Further information is available in the manual.	
Pack quantity	1 pcs.	

# DV1530

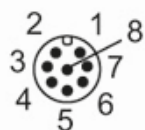


## 5-segment signal lamp

LED-Tower-5/Std/Buzzer

### Electrical connection - plug

Connector: M12; coding: A



### Connection

1	Digital input LED segment 5
2	buzzer
3	Digital input LED segment 3
4	Digital input LED segment 2
5	voltage supply
6	Digital input LED segment 1
7	Digital input LED segment 4
8	IO-Link (C/Q)

### Diagrams and graphs

base mounting



# DV1530

## 5-segment signal lamp

LED-Tower-5/Std/Buzzer

wall mounting

