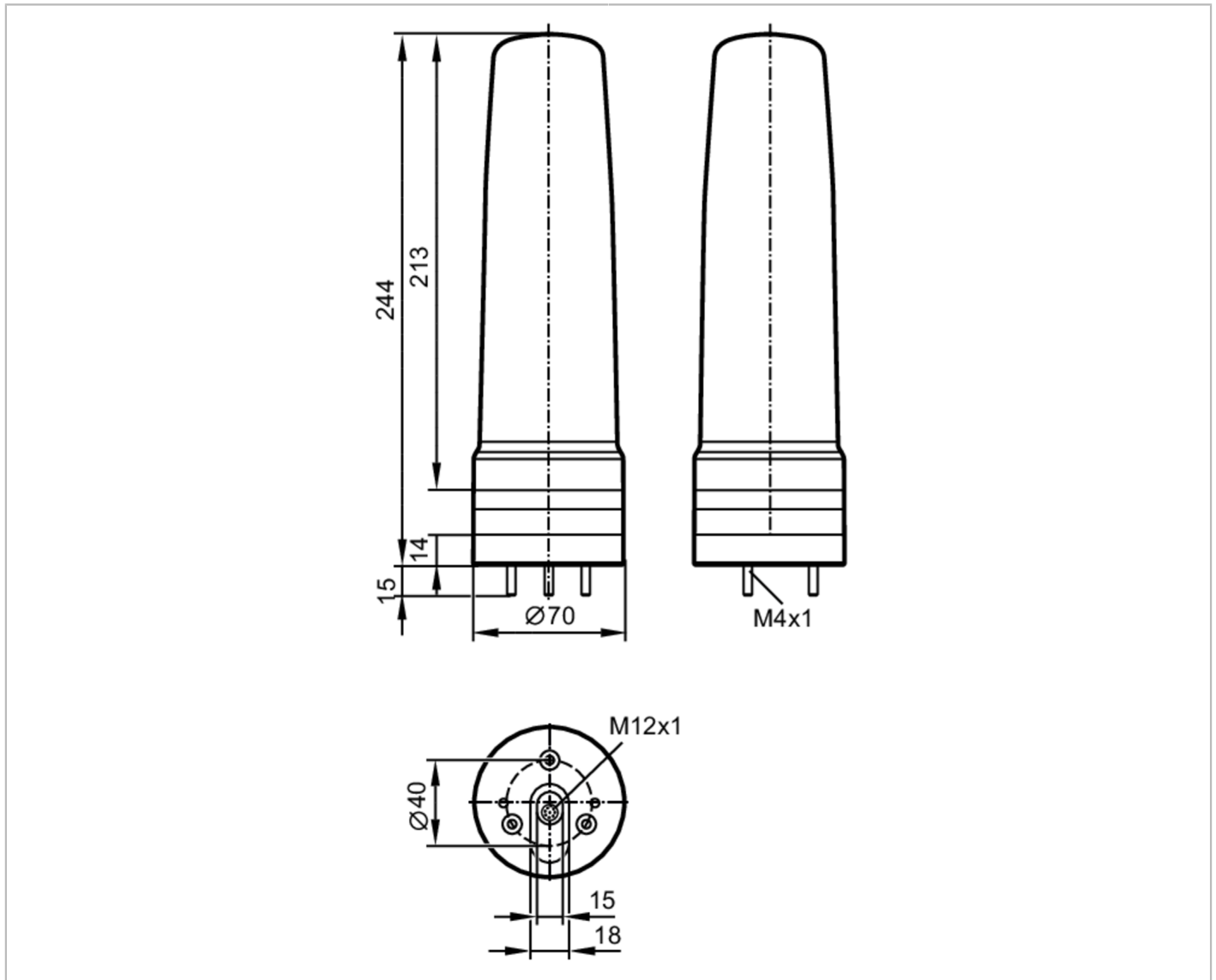


DV1521



5-segment light tower with IO-Link data output

LED-Tower-5/MDA/



Application	
Application	Display and transfer of machine states to higher-level evaluation software via IO-Link
Electrical data	
Operating voltage [V]	18...30 DC; (to SELV/PELV)
Nominal voltage DC [V]	24
Current consumption [mA]	< 200
Inputs / outputs	
Number of inputs and outputs	Number of digital inputs: 6
Inputs	
Number of digital inputs	6
Input current High [mA]	6
Interfaces	
Communication interface	IO-Link

DV1521



5-segment light tower with IO-Link data output

LED-Tower-5/MDA/

Transmission type	COM2 (38,4 kBaud)	
IO-Link revision	1.1	
SDCI standard	IEC 61131-9	
SIO mode	yes	
Required master port class	A	
Min. process cycle time [ms]	3.2	
Supported DeviceIDs	Type of operation	DeviceID
	default	1700

Operating conditions		
Ambient temperature [°C]		-25...50
Storage temperature [°C]		-40...75
Max. relative air humidity [%]		90
Air pressure [kPa]		< 106
Max. height above sea level [m]		2000
Protection		IP 65

Mechanical data		
Weight [g]		412.9
Dimensions [mm]		Ø 70 / L = 244
Material		housing: ABS; lens: PC

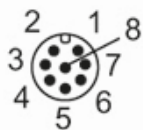
Displays / operating elements		
Display	status	1 x LED, green
	LED segment	5 x 4 LED

Accessories	
Accessories (optional)	mounting base, E89060
	wall bracket, E89061
	Mounting adapter, E89063
	bracket with lateral cable entry, E89064
	mounting tube, E89065
	mounting tube, E89066
	mounting tube, E89067

Remarks	
Remarks	Further information is available in the manual.
Pack quantity	1 pcs.

Electrical connection - plug

Connector: M12; coding: A



DV1521



5-segment light tower with IO-Link data output

LED-Tower-5/MDA/

Connection

1	Digital input LED segment 5
2	not used
3	Digital input LED segment 3
4	Digital input LED segment 2
5	GND
6	Digital input LED segment 1
7	Digital input LED segment 4
8	IO-Link (C/Q)

Diagrams and graphs

base mounting



DV1521



5-segment light tower with IO-Link data output

LED-Tower-5/MDA/

wall mounting

