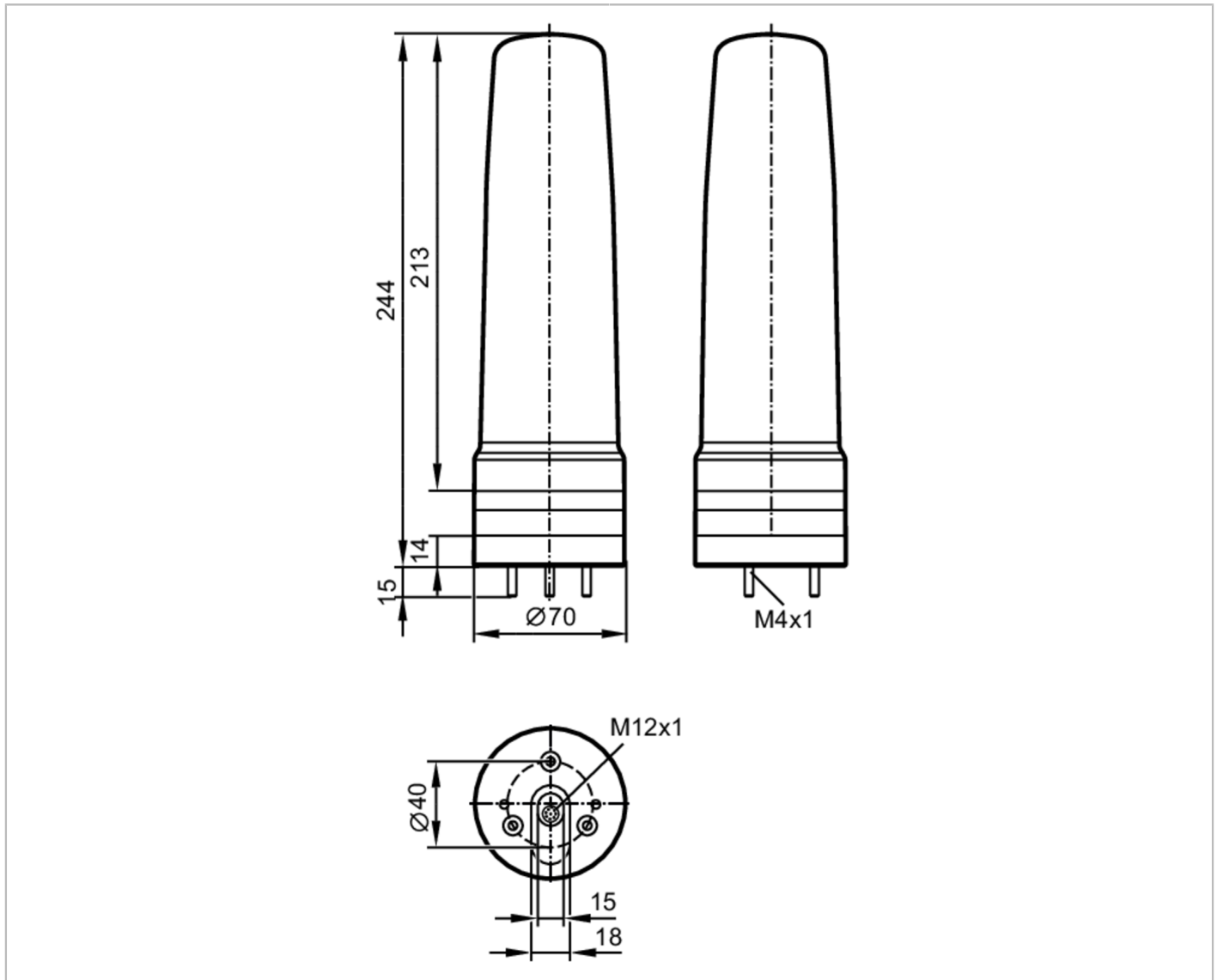


# DV1520



## 5-segment signal lamp

LED-Tower-5/Standard



Application	
Application	signaling machine conditions
Electrical data	
Operating voltage [V]	18...30 DC; (to SELV/PELV)
Nominal voltage DC [V]	24
Current consumption [mA]	< 200
Inputs / outputs	
Number of inputs and outputs	Number of digital inputs: 6
Inputs	
Number of digital inputs	6
Input current High [mA]	6
Interfaces	
Communication interface	IO-Link

# DV1520



## 5-segment signal lamp

LED-Tower-5/Standard

Transmission type	COM2 (38,4 kBaud)	
IO-Link revision	1.1	
SDCI standard	IEC 61131-9	
SIO mode	yes	
Required master port class	A	
Min. process cycle time [ms]	3.2	
Supported DeviceIDs	<b>Type of operation</b> default	<b>DeviceID</b> 850

Operating conditions		
Ambient temperature [°C]		-25...50
Storage temperature [°C]		-40...75
Max. relative air humidity [%]		90
Air pressure [kPa]		< 106
Max. height above sea level [m]		2000
Protection		IP 65

Mechanical data		
Weight [g]		519
Dimensions [mm]		Ø 70 / L = 244
Material		housing: ABS; lens: PC

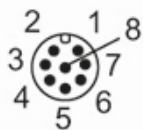
Displays / operating elements		
Display	status	1 x LED, green
	LED segment	5 x 4 LED

Accessories		
Accessories (optional)		mounting base, E89060
		wall bracket, E89061
		Mounting adapter, E89063
		bracket with lateral cable entry, E89064
		mounting tube, E89065
		mounting tube, E89066
		mounting tube, E89067

Remarks		
Remarks	Further information is available in the manual.	
Pack quantity	1 pcs.	

### Electrical connection - plug

Connector: M12; coding: A



# DV1520



## 5-segment signal lamp

LED-Tower-5/Standard

### Connection

1	Digital input LED segment 5
2	not used
3	Digital input LED segment 3
4	Digital input LED segment 2
5	voltage supply
6	Digital input LED segment 1
7	Digital input LED segment 4
8	IO-Link (C/Q)

### Diagrams and graphs

base mounting



# DV1520

## 5-segment signal lamp

LED-Tower-5/Standard

wall mounting

