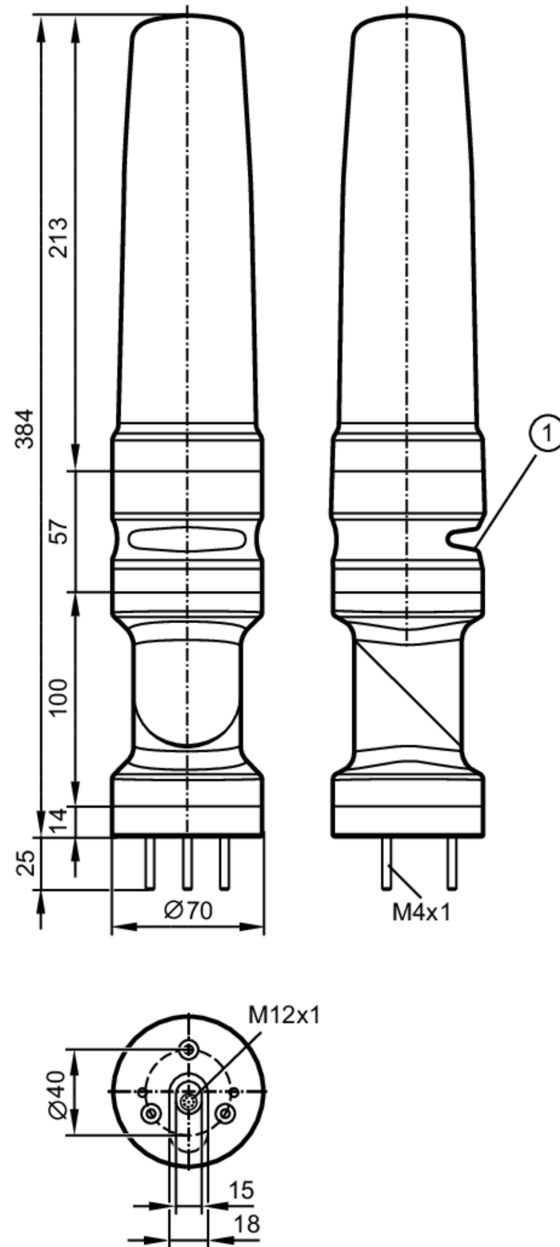


DV1511



5-segment light tower with IO-Link data output

LED-Tower-5/MDA/Bracket-Buz



1 buzzer



Application

Application Display and transfer of machine states to higher-level evaluation software via IO-Link

Electrical data

Operating voltage [V]	18...30 DC; (to SELV/PELV)
Nominal voltage DC [V]	24
Current consumption [mA]	< 200

Inputs / outputs

Number of inputs and outputs Number of digital inputs: 6

DV1511



5-segment light tower with IO-Link data output

LED-Tower-5/MDA/Bracket-Buz

Inputs		
Number of digital inputs		6
Input current High	[mA]	6
Interfaces		
Communication interface		IO-Link
Transmission type		COM2 (38,4 kBaud)
IO-Link revision		1.1
SDCI standard		IEC 61131-9
SIO mode		yes
Required master port class		A
Min. process cycle time	[ms]	3.2
Supported DeviceIDs	Type of operation	DeviceID
	default	1700
Operating conditions		
Ambient temperature	[°C]	-25...50
Storage temperature	[°C]	-40...75
Max. relative air humidity	[%]	90
Air pressure	[kPa]	< 106
Max. height above sea level	[m]	2000
Protection		IP 54
Mechanical data		
Weight	[g]	602.2
Type of mounting		Mounting base
Dimensions	[mm]	Ø 70 / L = 384
Material		housing: ABS; lens: PC
Displays / operating elements		
Display	status	1 x LED, green
	LED segment	5 x 4 LED
Acoustic signal		buzzer
Max. sound pressure	[dB]	85
Accessories		
Accessories (optional)		mounting base, E89060
		wall bracket, E89061
		Mounting adapter, E89063
		bracket with lateral cable entry, E89064
		mounting tube, E89065
		mounting tube, E89066
	mounting tube, E89067	
Remarks		
Remarks		Further information is available in the manual.
Pack quantity		1 pcs.

DV1511

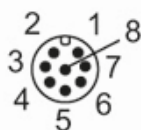


5-segment light tower with IO-Link data output

LED-Tower-5/MDA/Bracket-Buz

Electrical connection - plug

Connector: M12; coding: A



Connection

1	Digital input LED segment 5
2	buzzer
3	Digital input LED segment 3
4	Digital input LED segment 2
5	GND
6	Digital input LED segment 1
7	Digital input LED segment 4
8	IO-Link (C/Q)

Diagrams and graphs

base mounting



DV1511



5-segment light tower with IO-Link data output

LED-Tower-5/MDA/Bracket-Buz

wall mounting

